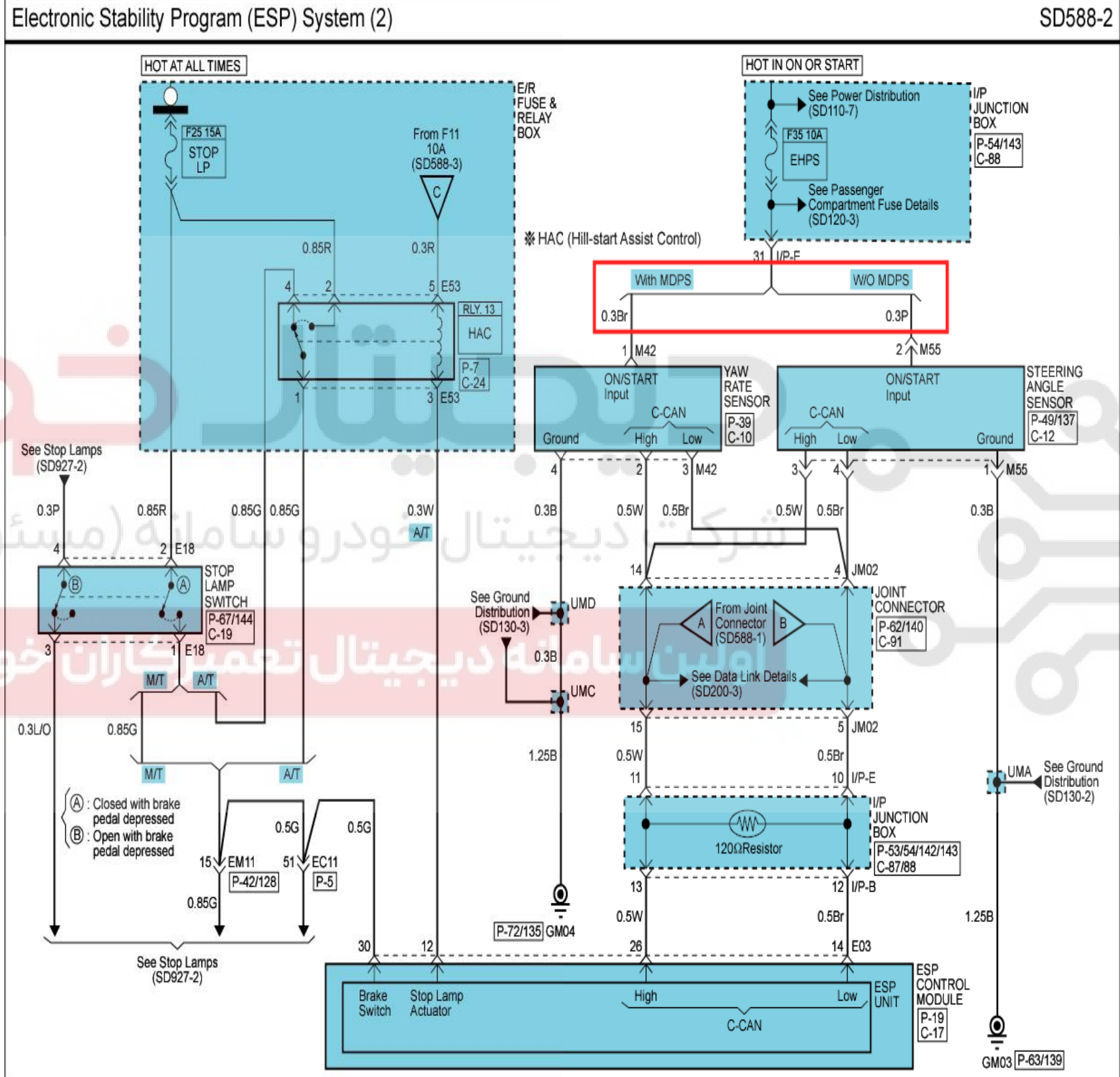
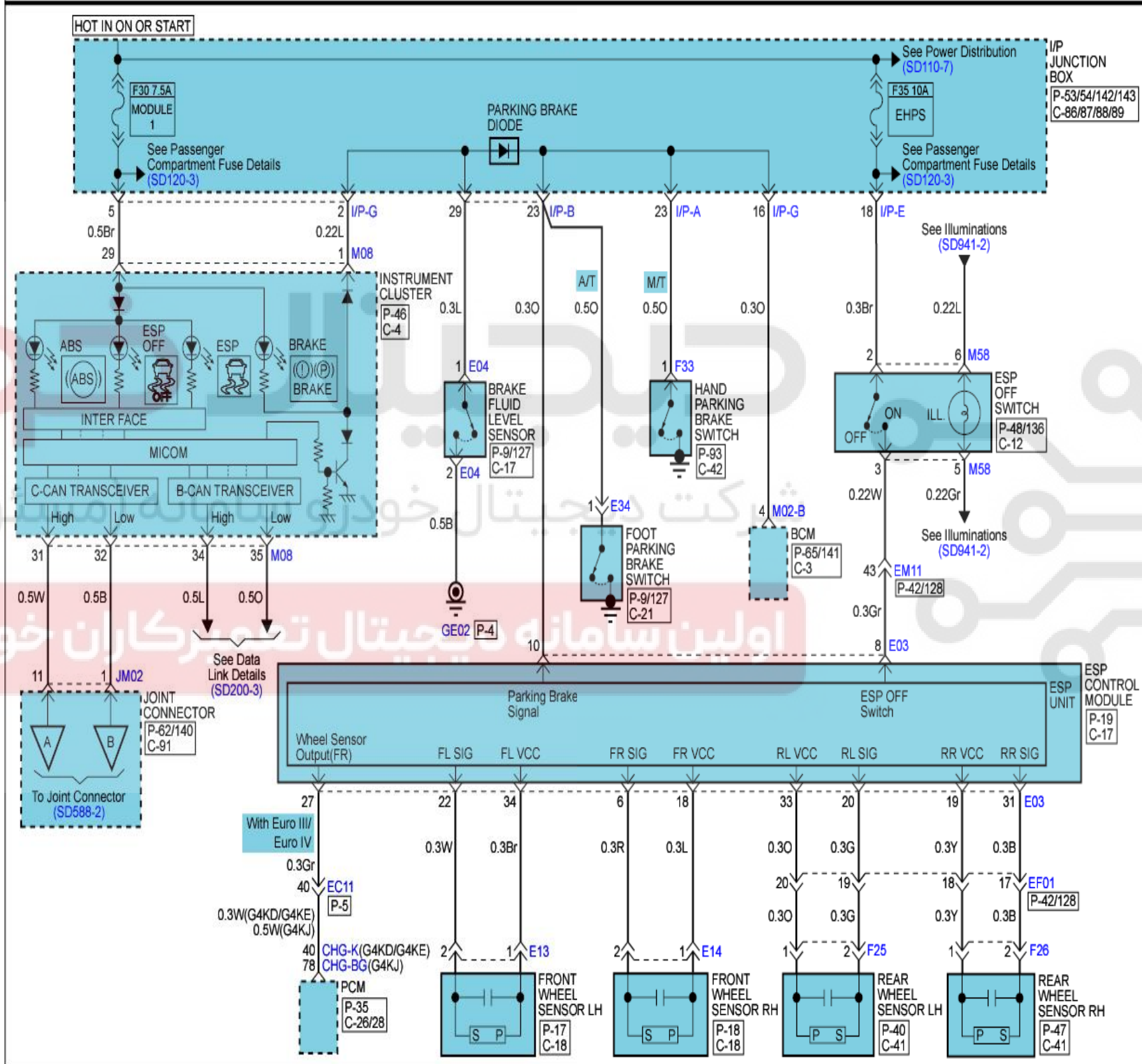


Electronic Stability Program (ESP) System

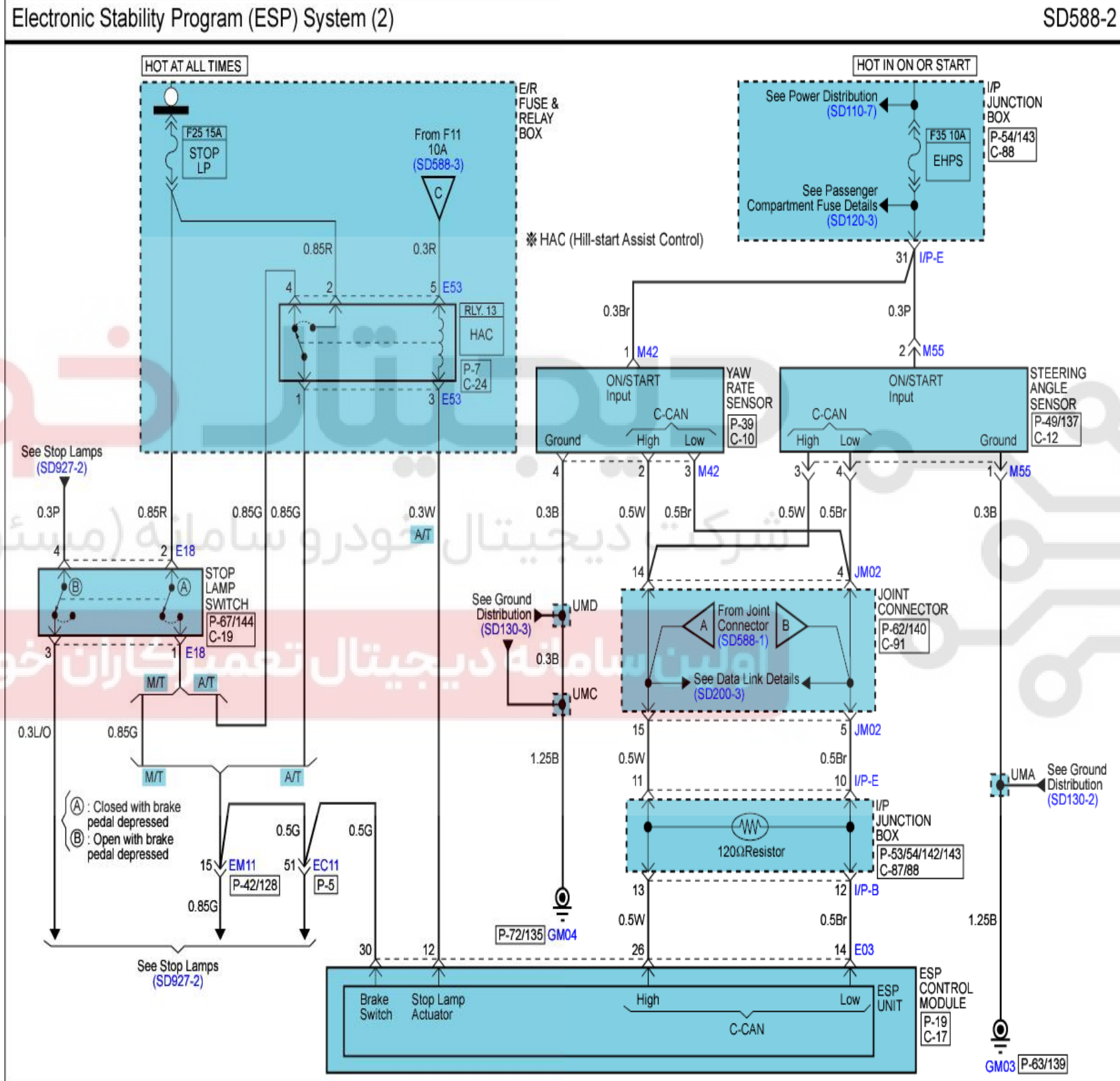


Electronic Stability Program (ESP) System

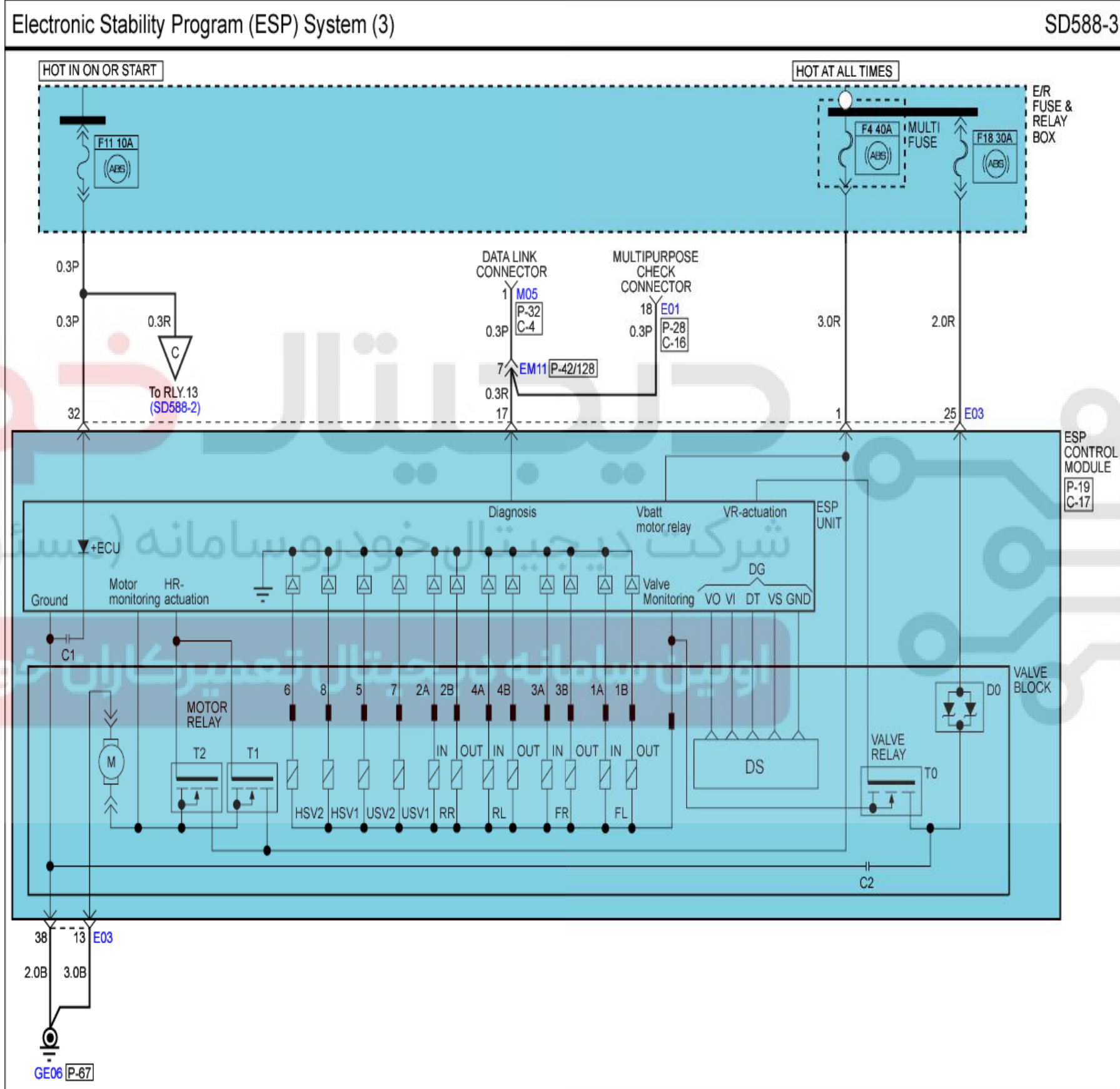
Electronic Stability Program (ESP) System (1) SD588-1



Electronic Stability Program (ESP) System



Electronic Stability Program (ESP) System

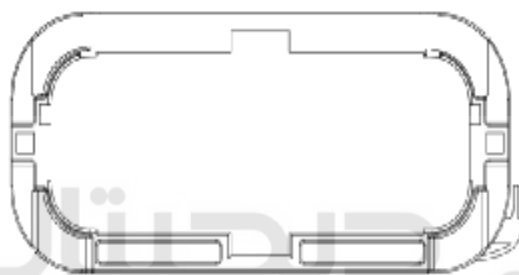




Connector	Component	Harness
-----------	-----------	---------

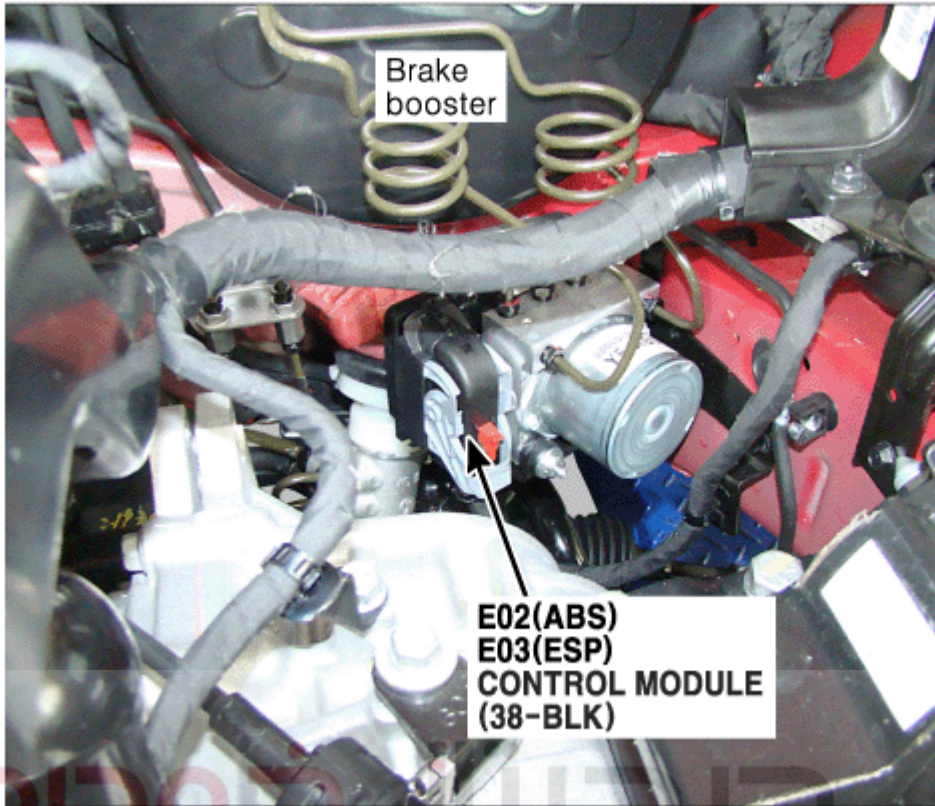
E03 ESP Control Module

- 38 Female / Black (DEL_AMP_ABS_38F_B_A_CODE2)



1. R	E/R Fuse & Relay Box - Multi Fuse (F4 40A)	20. G	Rear Wheel Sensor LH (SIG)
2. -	-	21. -	-
3. -	-	22. W	Front Wheel Sensor LH (SIG)
4. -	-	23. -	-
5. L	-	24. -	-
6. R	Front Wheel Sensor RH (SIG)	25. R	E/R Fuse & Relay Box - F18 30A
7. -	-	26. W	C-CAN High
8. Gr	ESP OFF Switch	27. Gr	Wheel Sensor Output (FR)
9. -	-	28. -	-
10. O	Parking Brake Signal	29. -	-
11. -	-	30. G	Brake Switch
12. W	E/R Fuse & Relay Box - RLY. 13	31. B	Rear Wheel Sensor RH (SIG)
13. B	Ground (GE06)	32. P	E/R Fuse & Relay Box - F11 10A
14. Br	C-CAN Low	33. O	Rear Wheel Sensor LH (VCC)
15. -	-	34. Br	Front Wheel Sensor LH (VCC)
16. -	-	35. -	-
17. R	Diagnosis	36. -	-
18. L	Front Wheel Sensor RH (VCC)	37. -	-
19. Y	Rear Wheel Sensor RH (VCC)	38. B	Ground (GE06)

19. Left Rear of Engine Room



شرکت دیجیتال خودرو سامانه (مسئولیت محدود)

اولین سامانه دیجیتال تعمیرکاران خودرو در ایران



Front Fog Lamps

