

# ENGINE HOOD/DOOR

<b>GENERAL INFORMATION</b>	<b>61-3</b>	Installation	61-33
Description	61-3	Adjustment	61-33
Specifications	61-9	Inspection	61-35
Tool	61-10	<b>Rear Door Protector Assembly</b>	<b>61-36</b>
<b>ON-VEHICLE SERVICE</b>	<b>61-11</b>	Removal	61-36
<b>Hood Assembly</b>	<b>61-11</b>	Installation	61-38
Removal	61-11	<b>Rear Door Assembly</b>	<b>61-39</b>
Installation	61-13	Removal	61-39
Adjustment	61-14	Installation	61-44
Inspection	61-15	Adjustment	61-44
<b>Hood Hinge Assembly</b>	<b>61-16</b>	Inspection	61-46
Removal	61-16	<b>Back Door Protector Assembly</b>	<b>61-47</b>
Installation	61-17	Removal	61-47
<b>Hood Cable Assembly</b>	<b>61-18</b>	Installation	61-49
Removal	61-18	<b>Back Door Assembly</b>	<b>61-50</b>
Installation	61-20	Removal	61-50
<b>Hood Air Spring Assembly</b>	<b>61-21</b>	Installation	61-52
Removal	61-21	Adjustment	61-53
Installation	61-22	Inspection	61-55
<b>Front Door Protector Assembly</b>	<b>61-23</b>	<b>Back Door Opener Switch Assembly</b>	<b>61-56</b>
Removal	61-23	Removal	61-56
Installation	61-27	Installation	61-56
<b>Front Door Assembly</b>	<b>61-28</b>	<b>Back Door Air Spring Assembly</b>	<b>61-57</b>
Removal	61-28	Removal	61-57
		Installation	61-58

# دیجیتال خودرو

شرکت دیجیتال خودرو سامانه (مسئولیت محدود)

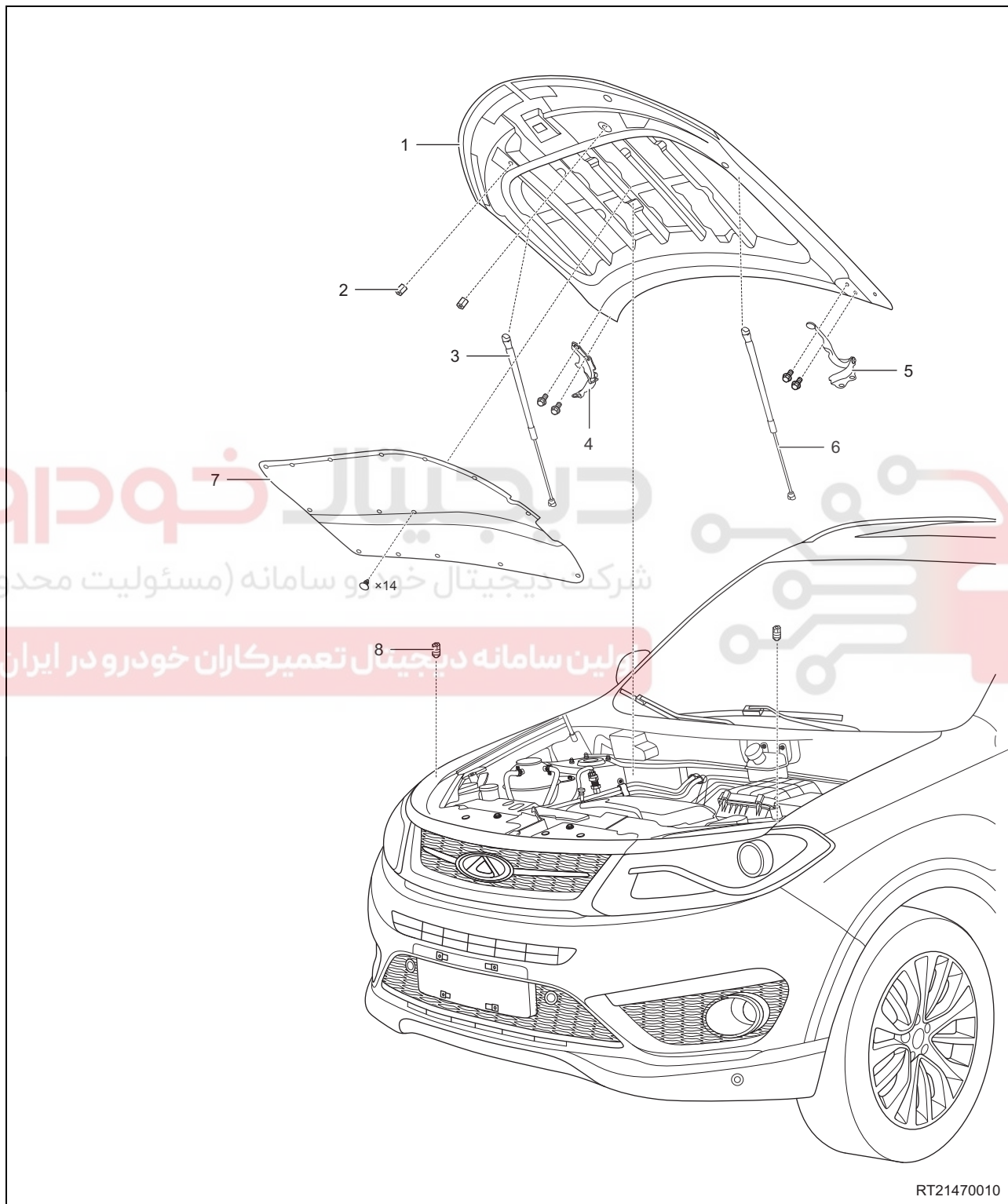
اولین سامانه دیجیتال تعمیرکاران خودرو در ایران



# GENERAL INFORMATION

## Description

### Hood Assembly



61

دیجیتال خودرو  
 شرکت دیجیتال خودرو سامانه (مسئولیت محدود)  
 آیین سامانه دیجیتال تعمیرکاران خودرو در ایران

RT21470010

## 61 - ENGINE HOOD/DOOR

1 - Hood Assembly	2 - Hood Upper Adjustment Block
3 - Hood Right Air Spring Assembly	4 - Hood Right Hinge Assembly
5 - Hood Left Hinge Assembly	6 - Hood Left Air Spring Assembly
7 - Hood Sound-absorbing Pad	8 - Hood Lower Adjustment Block

61

# دیجیتال خودرو

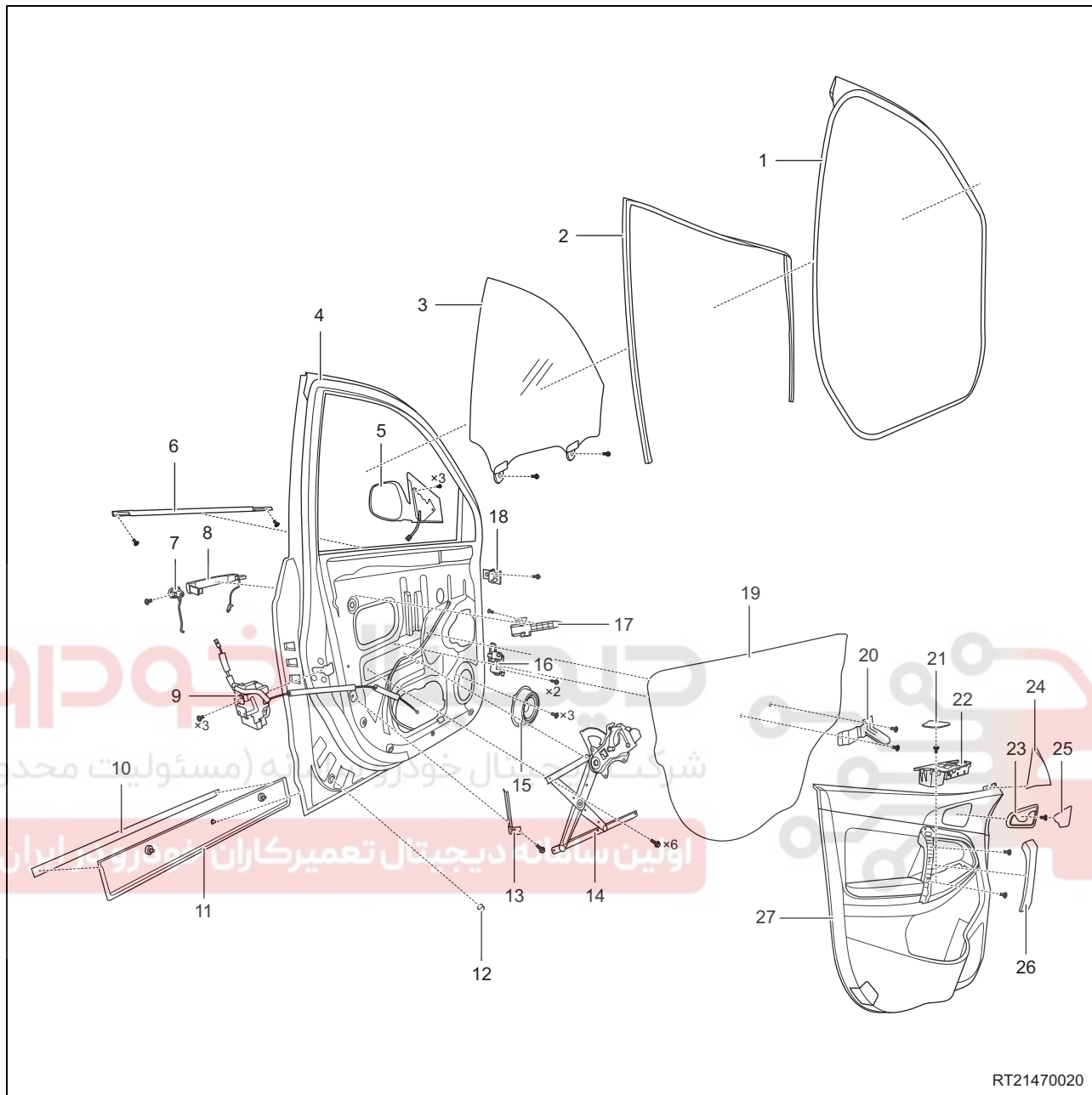
شرکت دیجیتال خودرو سامانه (مسئولیت محدود)

اولین سامانه دیجیتال تعمیرکاران خودرو در ایران





Front Left Door Assembly



RT21470020

## 61 - ENGINE HOOD/DOOR

1 - Front Door Frame Weatherstrip	2 - Front Door Glass Run
3 - Front Door Glass Assembly	4 - Front Door Assembly
5 - Outside Rear View Mirror Assembly	6 - Front Door Outer Weather Bar Assembly
7 - Front Door Key Cylinder Protective Cover	8 - Front Door Outside Handle
9 - Front Door Lock Assembly	10 - Front Door Trim Board Garnish
11 - Front Door Trim Board Assembly	12 - Front Door Buffer Block
13 - Front Door Glass Rear Guide Rail Assembly	14 - Front Door Power Glass Regulator Assembly
15 - Front Door Low Pitched Speaker	16 - Front Door Lower Hinge Assembly
17 - Front Door Outside Handle Base Assembly	18 - Front Door Upper Hinge Assembly
19 - Front Door Protective Film Assembly	20 - Front Door Assist Grip Mounting Bracket Assembly
21 - Rubber Cushion	22 - Power Glass Regulating Control Master Switch Assembly
23 - Front Door Inside Handle Assembly	24 - Front Door Inner Triangular Block Assembly
25 - Front Door Inside Handle Screw Cover	26 - Front Door Assist Grip Cover
27 - Front Door Protector Assembly	

61

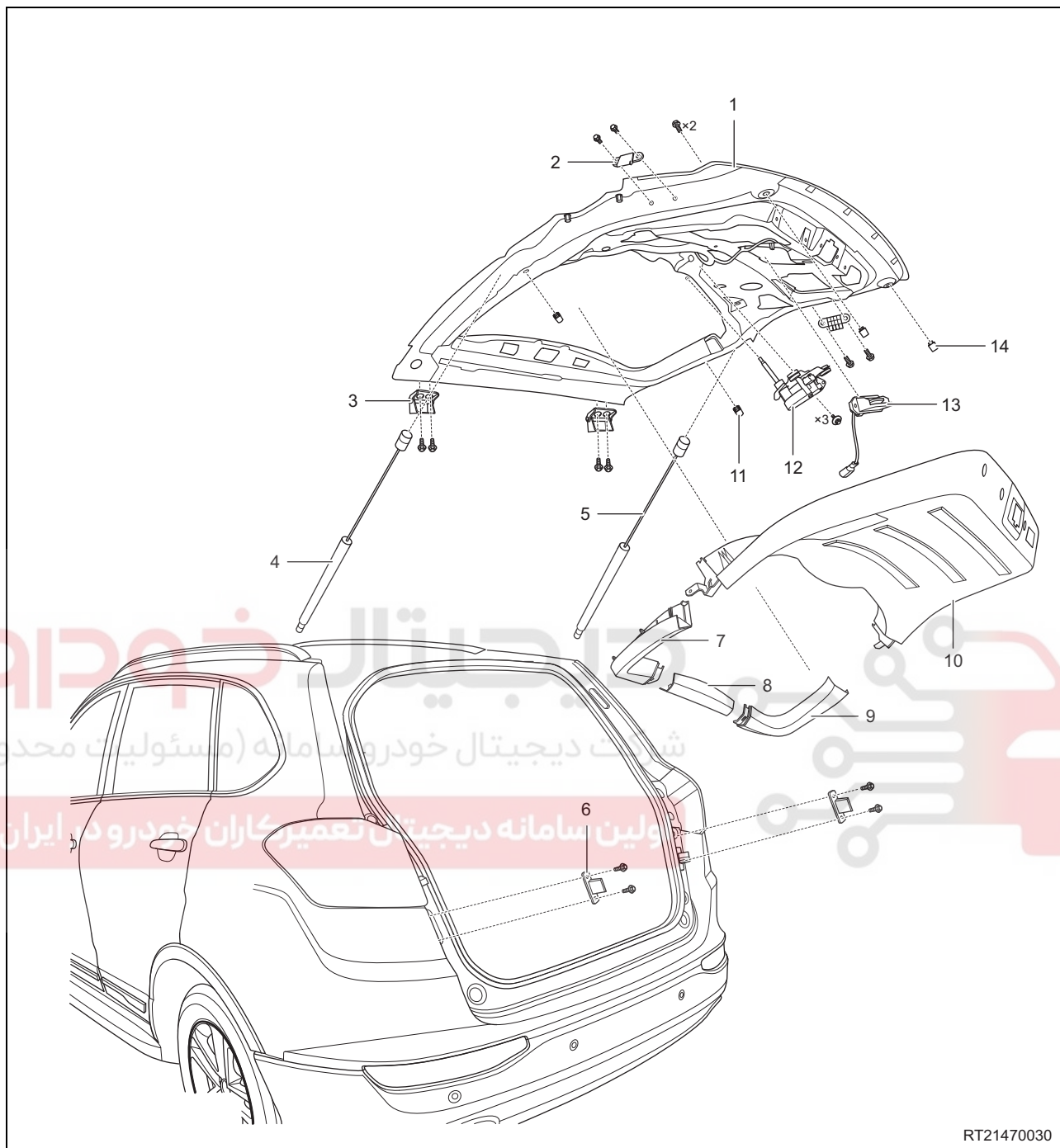
# دیجیتال خودرو

شرکت دیجیتال خودرو سامانه (مسئولیت محدود)

اولین سامانه دیجیتال تعمیرکاران خودرو در ایران



Back Door Assembly



RT21470030

## 61 - ENGINE HOOD/DOOR

1 - Back Door Assembly	2 - Back Door Locating Block
3 - Back Door Hinge Assembly	4 - Back Door Left Air Spring Assembly
5 - Back Door Right Air Spring Assembly	6 - Back Door Locating Seat
7 - Back Door Left Protector Assembly	8 - Back Door Upper Protector Assembly
9 - Back Door Right Protector Assembly	10 - Back Door Lower Protector Assembly
11 - Back Door Adjustment Block	12 - Rear Wiper Motor Assembly
13 - Back Door Opener Switch Assembly	14 - Back Door Buffer Block

The vehicle is designed as a structure with five doors & one cover (front left door, rear left door, front right door, rear right door, back door and hood).

# دیجیتال خودرو

شرکت دیجیتال خودرو سامانه (مسئولیت محدود)

اولین سامانه دیجیتال تعمیرکاران خودرو در ایران



## Specifications

### Torque Specifications

Description	Torque (N·m)
Fixing Bolt Between Hood Assembly and Hood Hinge Assembly	23 ± 2
Hood Lock Assembly Fixing Nut	10 ± 1
Fixing Bolt Between Hood Hinge Assembly and Fender Assembly	10 ± 1
Fixing Bolt Between Hood Hinge Assembly and Body	23 ± 2
Water Tank Upper Crossmember Deflector Fixing Nut	10 ± 1
Hood Grip Assembly Fixing Screw	1.5 ± 0.5
Hood Air Spring Ball Pin Assembly	10 ± 1
Front Door Inside Handle Assembly Fixing Screw	1.5 ± 0.5
Front Door Protector Assembly Fixing Screw	1.5 ± 0.5
Front Door Assist Grip Assembly Fixing Screw	1.5 ± 0.5
Front Door Assist Grip Mounting Bracket Assembly Fixing Screw	1.5 ± 0.5
Front Door Outside Handle Base Assembly Fixing Screw	5 ± 1
Fixing Bolt Between Front Door Hinge Assembly and Door	70 ± 3
Fixing Bolt Between Front Door Hinge Assembly and Body	70 ± 3
Front Door Lock Striker Assembly Fixing Screw	10 ± 1
Rear Door Inside Handle Assembly Fixing Screw	1.5 ± 0.5
Rear Door Protector Assembly Fixing Screw	1.5 ± 0.5
Rear Door Assist Grip Assembly Fixing Screw	1.5 ± 0.5
Rear Door Assist Grip Mounting Bracket Assembly Fixing Screw	1.5 ± 0.5
Rear Door Outside Handle Base Assembly Fixing Screw	5 ± 1
Fixing Bolt Between Rear Door Hinge Assembly and Door	70 ± 3
Fixing Bolt Between Rear Door Hinge Assembly and Body	70 ± 3
Rear Door Lock Striker Assembly Fixing Screw	10 ± 1
Back Door Grip Assembly Fixing Screw	7 ± 1
Back Door Lower Protector Assembly Fixing Screw	1.5 ± 0.5
Back Door Locating Seat Fixing Bolt	1.5 ± 1
Back Door Locating Block Fixing Bolt	1.5 ± 1

## 61 - ENGINE HOOD/DOOR

Description	Torque (N·m)
Fixing Bolt Between Back Door Hinge Assembly and Back Door	23 ± 2
Back Door Hinge Assembly Fixing Nut	23 ± 2
Back Door Lock Striker Assembly Fixing Screw	10 ± 1
Back Door Upper Trim Board Assembly Fixing Screw	3 ± 1
Back Door Upper Trim Board Assembly Fixing Nut	5 ± 1
Back Door Opener Switch Assembly Fixing Bolt	10 ± 1
Back Door Air Spring Assembly Ball Pin	10 ± 1

**Tool****General Tool**

61

Interior Crow Plate	 <p>RCH0000025</p>
---------------------	--

شرکت دیجیتال خودرو (مسئولیت محدود)

اولین سامانه دیجیتال تعمیرکاران خودرو در ایران

## ON-VEHICLE SERVICE

### Hood Assembly

#### Removal

##### WARNING

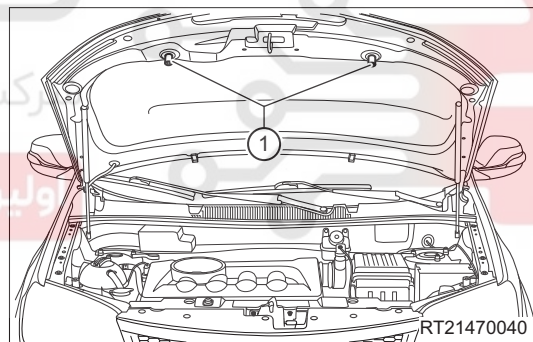
- When removing hood assembly, an assistant is needed to hold hood. Prevent hood from dropping or sudden closing to cause accidents during operation.

##### CAUTION

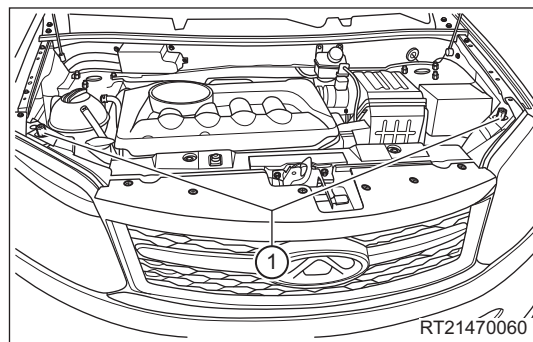
- Be sure to wear safety equipment to prevent accidents when removing hood assembly.
- When removing hood assembly, prevent hood from dropping to damage the body or front windshield during operation.

61

1. Turn off all the electrical equipment and ignition switch.
2. Disconnect the negative battery cable.
3. Remove the hood upper adjustment block.
  - a. Turn the hood upper adjustment blocks counterclockwise and remove the hood upper adjustment blocks (1).



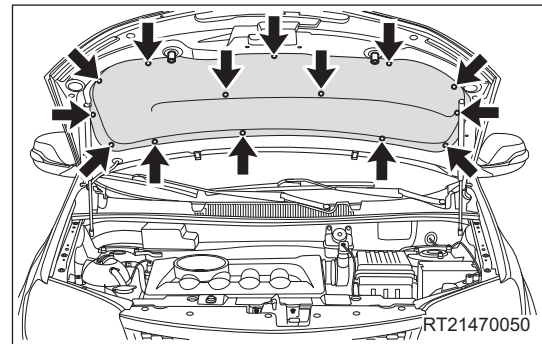
4. Remove the hood lower adjustment block.
  - a. Turn the hood lower adjustment blocks counterclockwise and remove the hood lower adjustment blocks (1).



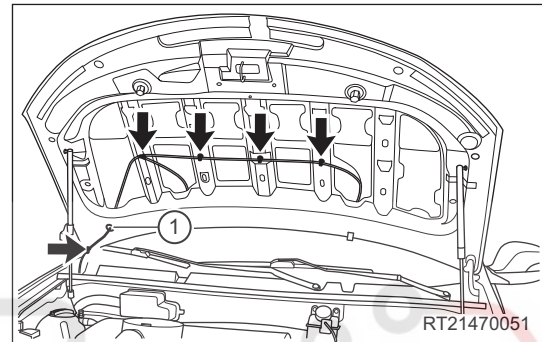


## 61 - ENGINE HOOD/DOOR

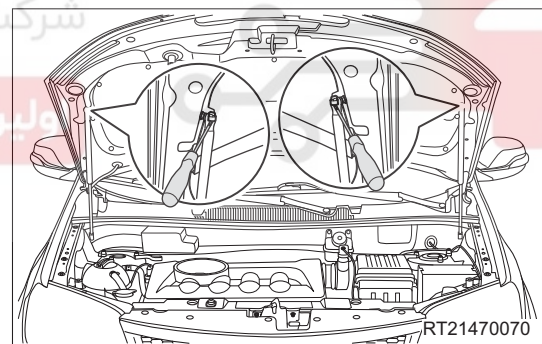
5. Remove the hood sound-absorbing pad.
  - a. Remove the clips (arrow) from the hood sound-absorbing pad, and remove the hood sound-absorbing pad.



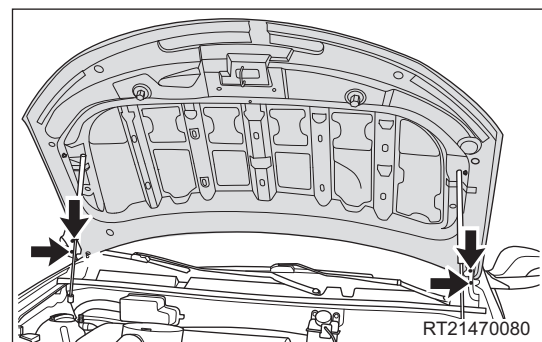
6. Remove the front washer nozzle assembly (See page 49-28).
7. Remove the washer hose.
  - a. Using a screwdriver wrapped with protective tape, pry up the rubber cover (1).
  - b. Remove the washer hose from the clips (arrow).



8. Release the hood air spring assembly.
  - a. Using a screwdriver wrapped with protective tape, pry up the clips on the upper part of hood air spring.
  - b. Release the hood air spring assembly.



9. Remove the hood assembly.
  - a. Remove 4 fixing bolts (arrow) between hood assembly and hood hinge assembly, and remove the hood assembly. (Tightening torque:  $23 \pm 2$  N·m)





## Installation

Installation is in the reverse order of removal.

### WARNING

- When installing hood assembly, an assistant is needed to hold hood. Prevent hood from dropping or sudden closing to cause accidents during operation.

### CAUTION

- Be sure to wear safety equipment to prevent accidents when installing hood assembly.
- Try to prevent body paint surface from being scratched when installing hood assembly.

دیجیتال خودرو

شرکت دیجیتال خودرو سامانه (مسئولیت محدود)

اولین سامانه دیجیتال تعمیرکاران خودرو در ایران



## Adjustment

1. Adjust the hood assembly.
  - a. Loosen fixing bolts on hood hinge assembly.
  - b. Adjust clearance of hood assembly to standard range and pre-tighten fixing bolts on hood hinge assembly.

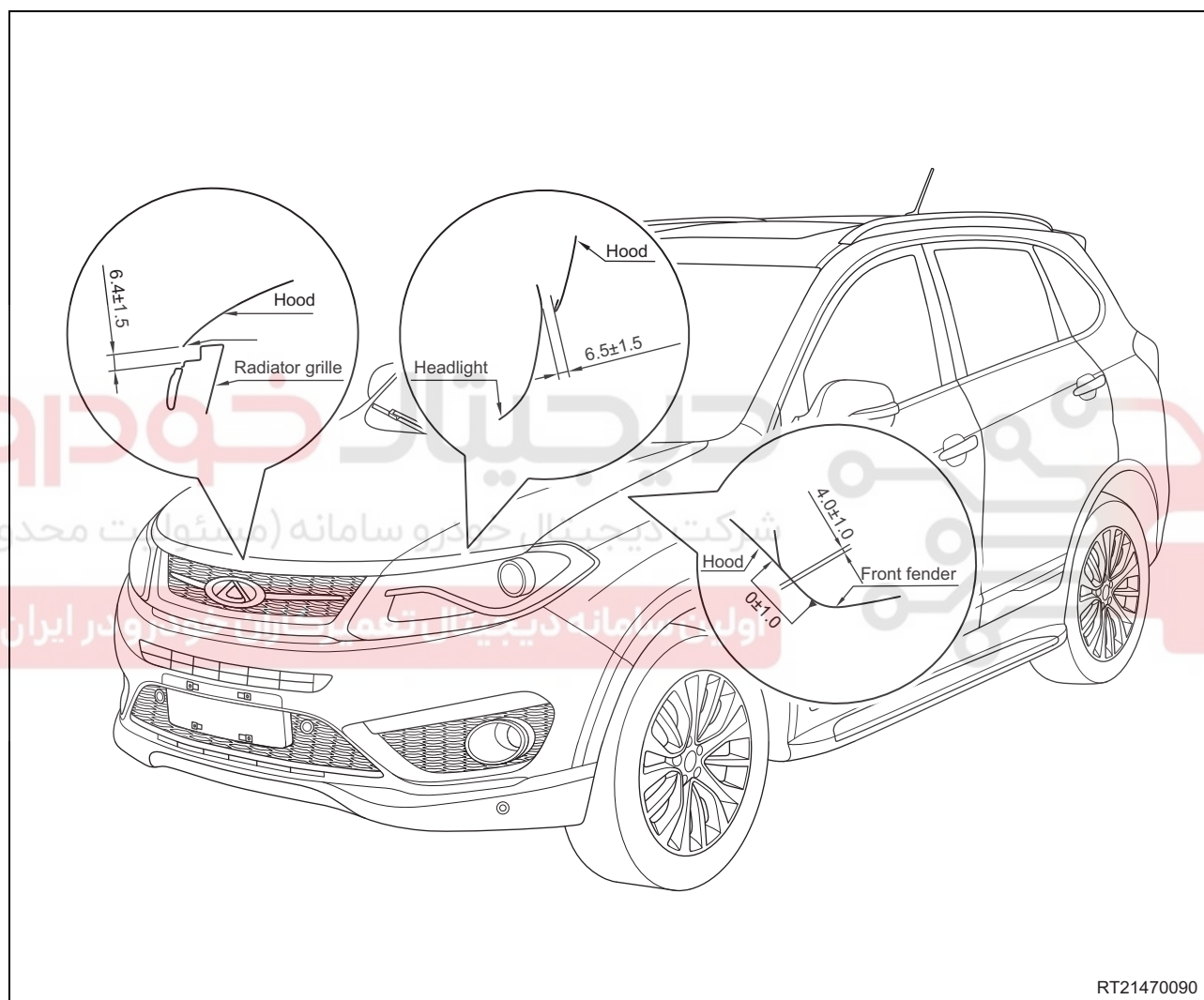
Standard ranges of clearance between installation positions of hood assembly and each part are as follows:

Clearance between hood assembly and radiator grille:  $6.4 \pm 1.5$  mm.

Clearance between hood assembly and front headlight assembly:  $6.5 \pm 1.5$  mm.

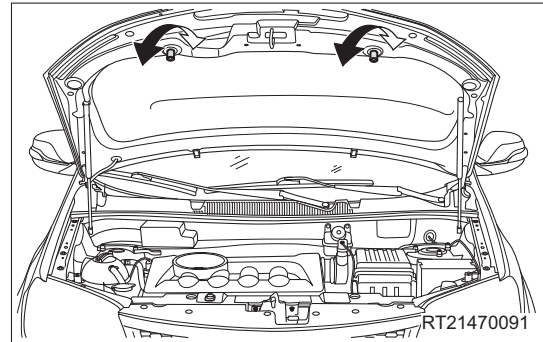
Clearance between hood assembly and front fender assembly:  $4.0 \pm 1.0$  mm.

61

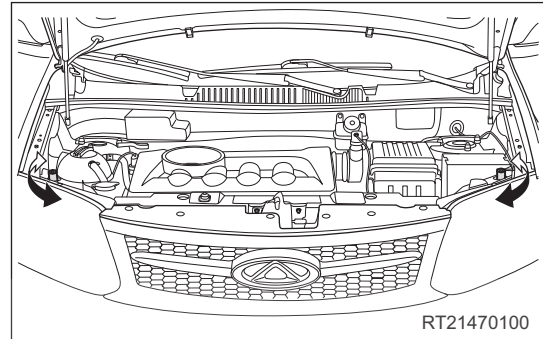


- c. After adjustment, tighten the fixing bolts between hood hinge assembly and hood assembly to the specified torque.  
(Tightening torque:  $23 \pm 2$  N·m)
- d. After adjustment, tighten the fixing bolts between hood hinge assembly and body to the specified torque.  
(Tightening torque:  $23 \pm 2$  N·m)

2. Adjust the height of hood front end with adjustment block.
  - a. Raise or lower the hood front end by rotating the upper adjustment blocks clockwise or counterclockwise.



- b. Raise or lower the hood front end by rotating the lower adjustment blocks clockwise or counterclockwise.

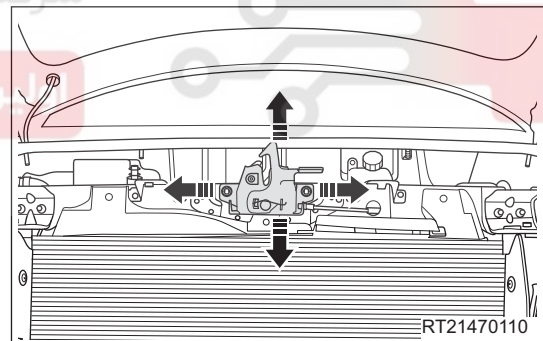


61

- c. After adjustment, make sure alignment between hood assembly and front fender assembly is within the standard range.  
Standard alignment:  $0 \pm 1.0$  mm

3. Adjust the hood lock assembly.

- a. Slightly loosen the fixing nuts of hood lock assembly and adjust the hood lock assembly in the direction of arrow as shown in the illustration.



- b. Tighten the hood lock assembly fixing nuts to the specified torque after adjustment.  
(Tightening torque:  $10 \pm 1$  N·m)

## Inspection

After the hood assembly is adjusted, perform the following inspections:

1. Check hood assembly for wear or deformation during installation, and repair as necessary.
2. Check if fixing bolts and fixing nuts are set in position. Tighten them to the specified torque as necessary.
3. Check if clearance and alignment between hood assembly and front fender assembly, radiator grille and front headlight assembly are within the specified range, and adjust as necessary.

## Hood Hinge Assembly

### Removal

#### HINT:

- Use the same procedures for the right side and left side.
- Procedures listed below are for the left side.

#### ⚠ WARNING

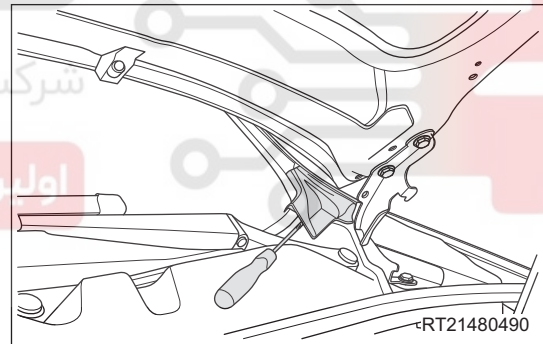
- When removing hood hinge assembly, an assistant is needed to hold hood. Prevent hood from dropping or sudden closing to cause accidents during operation.

#### 👁 CAUTION

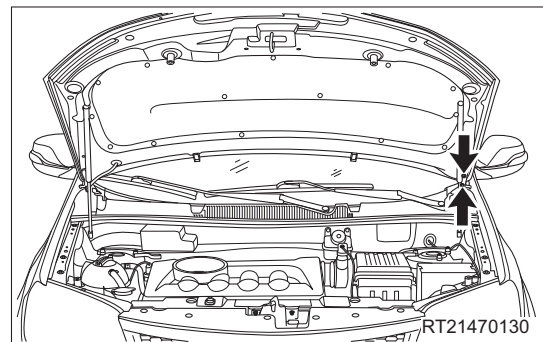
61

- Be sure to wear safety equipment to prevent accidents when removing hood hinge assembly.
- When removing hood hinge assembly, prevent hood from dropping to damage body or front windshield during operation.

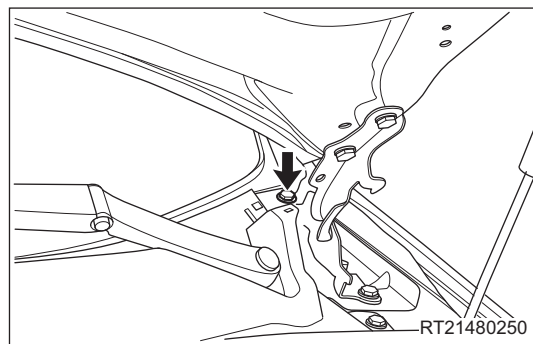
1. Turn off all the electrical equipment and ignition switch.
2. Disconnect the negative battery cable.
3. Remove the front windshield lower garnish left cover plate.
  - a. Using a screwdriver wrapped with protective tape, pry up the claws on front windshield lower garnish left cover plate.
  - b. Remove the front windshield lower garnish left cover plate.



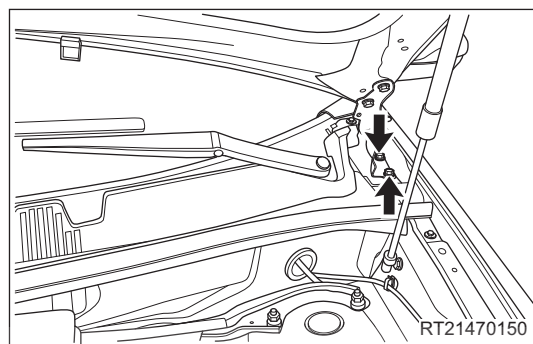
4. Remove the hood left hinge assembly.
  - a. Remove 2 fixing bolts (arrow) between hood hinge assembly and hood assembly.  
(Tightening torque:  $23 \pm 2$  N·m)



- b. Remove the fixing bolt (arrow) between hood hinge assembly and front fender assembly.  
(Tightening torque:  $10 \pm 1$  N·m)



- c. Remove 2 fixing bolts (arrow) between hood hinge assembly and body.  
(Tightening torque:  $23 \pm 2$  N·m)



61

- d. Remove the hood hinge Assembly.

## Installation

Installation is in the reverse order of removal.

### ⚠ WARNING

- When installing hood hinge assembly, an assistant is needed to hold hood. Prevent hood from dropping or sudden closing to cause accidents during operation.

### 👁 CAUTION

- After installing hood hinge assembly, it is necessary to adjust hood.
- When installing hood hinge assembly, prevent hood from dropping to damage body or front windshield during operation.

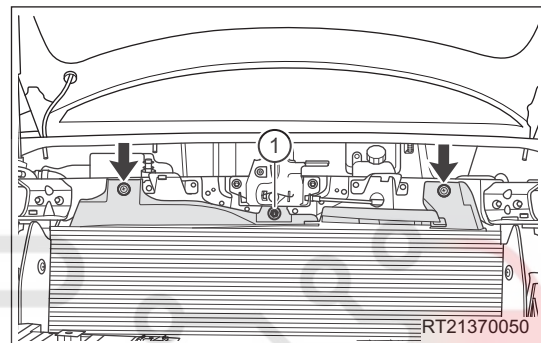
## Hood Cable Assembly

### Removal

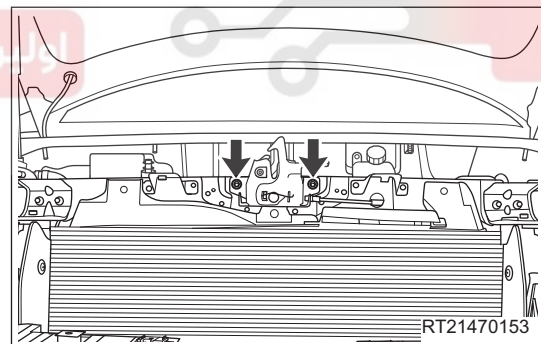
#### CAUTION

- Be sure to wear safety equipment to prevent accidents when removing hood cable assembly.
- Try to prevent body paint surface from being scratched when removing hood cable assembly.

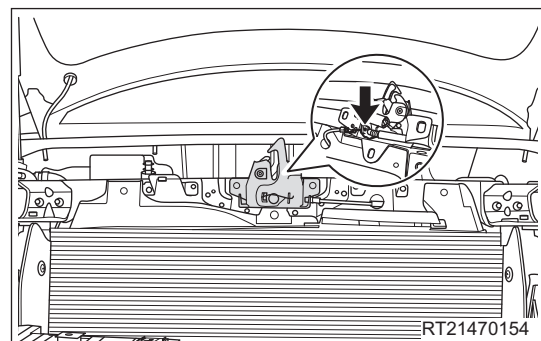
1. Turn off all the electrical equipment and ignition switch.
2. Disconnect the negative battery cable.
3. Remove the radiator grille assembly (See page 62-8).
4. Remove the water tank upper crossmember trim board (See page 62-10).
5. Remove the water tank upper crossmember deflector.
  - a. Remove 2 plastic clips (arrow) and the fixing nut (1) from the water tank upper crossmember deflector. (Tightening torque:  $10 \pm 1$  N·m)
  - b. Remove the water tank upper crossmember deflector.



6. Remove the hood lock assembly.
  - a. Remove 2 fixing nuts (arrow) from the hood lock assembly. (Tightening torque:  $10 \pm 1$  N·m)

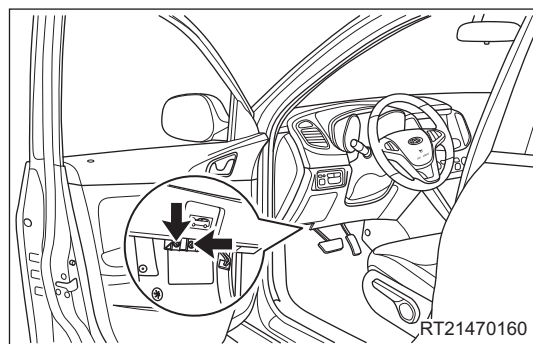


- b. Disengage the hood cable assembly (arrow) from the slot.
- c. Remove the hood lock assembly.

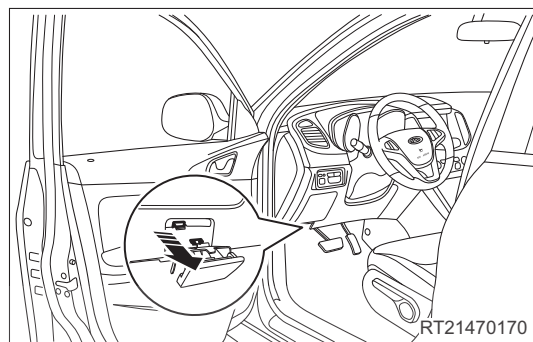




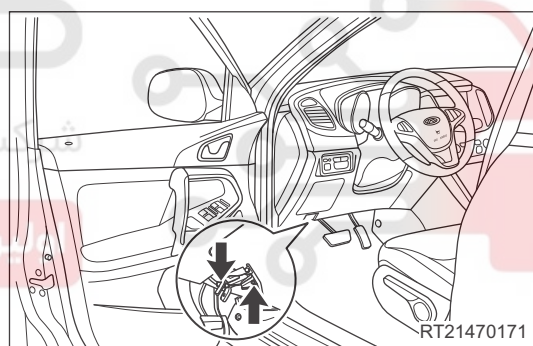
7. Remove the hood grip assembly.
  - a. Remove 2 fixing crews (arrow) from the hood grip assembly.  
(Tightening torque:  $1.5 \pm 0.5 \text{ N}\cdot\text{m}$ )



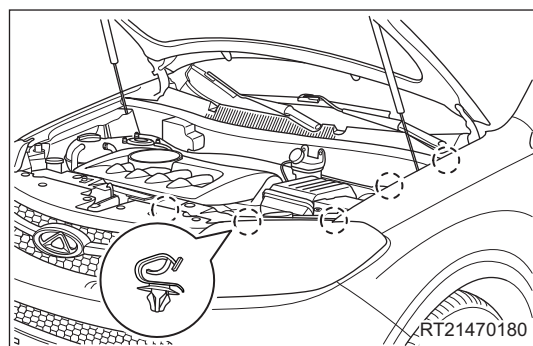
- b. Disengage the hood grip assembly in the direction of arrow as shown in the illustration.



- c. Disengage the hood cable (arrow) to separate it from the hood grip assembly.



8. Remove the hood cable assembly.
  - a. Disengage the hood cable assembly from the clips.
  - b. Remove the hood cable assembly.



## Installation

Installation is in the reverse order of removal.

### CAUTION

- Try to prevent body paint surface from being scratched when installing hood cable assembly.
- After installation of hood cable assembly is completed, make sure hood can be opened smoothly without sticking.

# دیجیتال خودرو

شرکت دیجیتال خودرو سامانه (مسئولیت محدود)

اولین سامانه دیجیتال تعمیرکاران خودرو در ایران





## Hood Air Spring Assembly

### Removal

#### HINT:

- Use the same procedures for the right side and left side.
- Procedures listed below are for the left side.

#### ⚠ WARNING

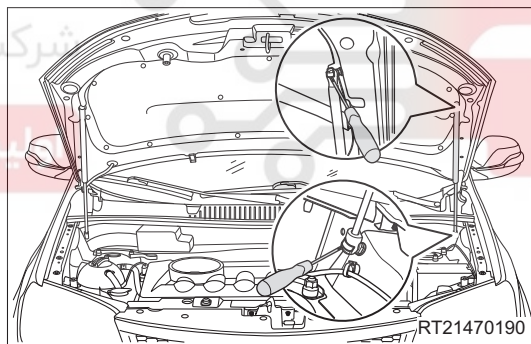
- When removing hood air spring assembly, an assistant is needed to hold hood. Prevent hood from dropping or sudden closing to cause accidents during operation.

#### 👁 CAUTION

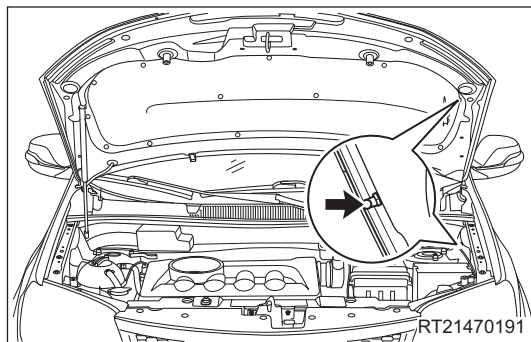
- Be sure to wear safety equipment to prevent accidents when removing hood air spring assembly.
- Try to prevent body paint surface from being scratched when removing hood air spring assembly.
- When removing hood air spring assembly, prevent hood from dropping to damage body or front windshield during operation.

61

1. Turn off all the electrical equipment and ignition switch.
2. Disconnect the negative battery cable.
3. Remove the hood left air spring assembly.
  - a. Using a screwdriver wrapped with protective tape, pry up the fixing clip on the upper part of hood air spring.
  - b. Using a screwdriver wrapped with protective tape, pry up the fixing clip on the lower part of hood air spring and remove the hood left air spring assembly.



4. Remove the hood air spring ball pin (arrow).  
(Tightening torque:  $10 \pm 1$  N·m)



## Installation

Installation is in the reverse order of removal.

### WARNING

- When removing hood air spring assembly, an assistant is needed to hold hood. Prevent hood from dropping or sudden closing to cause accidents during operation.

### CAUTION

- Try to prevent body paint surface from being scratched when installing hood air spring assembly.
- Make sure hood air spring assembly and hood air spring clip are fitted closely after installing hood air spring assembly.

دیجیتال خودرو

شرکت دیجیتال خودرو سامانه (مسئولیت محدود)

اولین سامانه دیجیتال تعمیرکاران خودرو در ایران



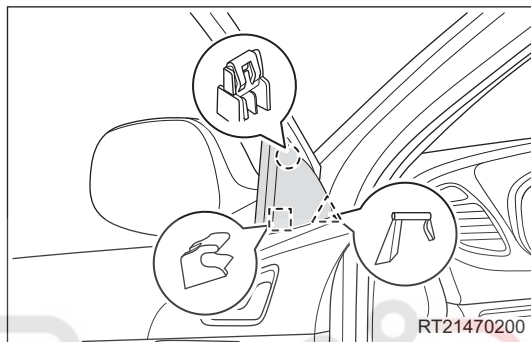
## Front Door Protector Assembly

### Removal

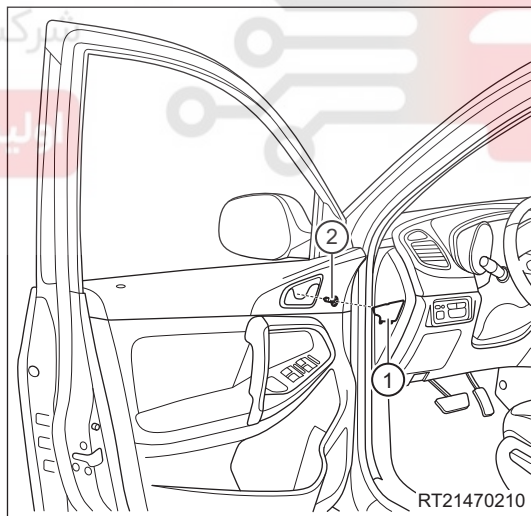
#### CAUTION

- Be sure to wear safety equipment to prevent accidents when removing front door protector assembly.
- Avoid damage to front door protector surface when removing front door protector assembly.

1. Turn off all the electrical equipment and ignition switch.
2. Disconnect the negative battery cable.
3. Remove the front left door inner triangular block assembly.
  - a. Using an interior crow plate, pry up the claws on front door inner triangular block assembly, and remove the front left door inner triangular block assembly.

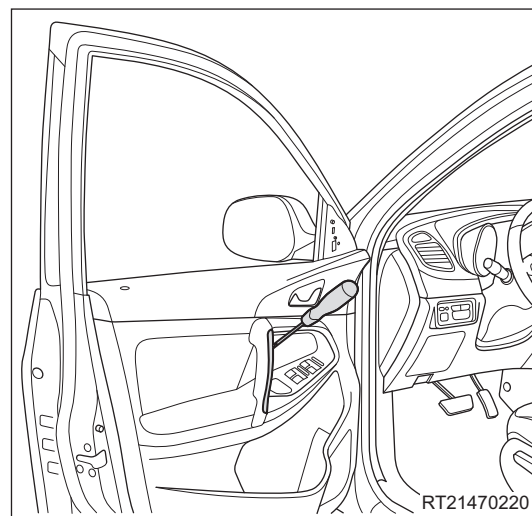


4. Remove the front left door inside handle assembly.
  - a. Using a screwdriver wrapped with protective tape, pry up the front door inside handle screw cover (1).
  - b. Remove the fixing screw (2) from the front door inside handle assembly.  
(Tightening torque:  $1.5 \pm 0.5 \text{ N}\cdot\text{m}$ )



## 61 - ENGINE HOOD/DOOR

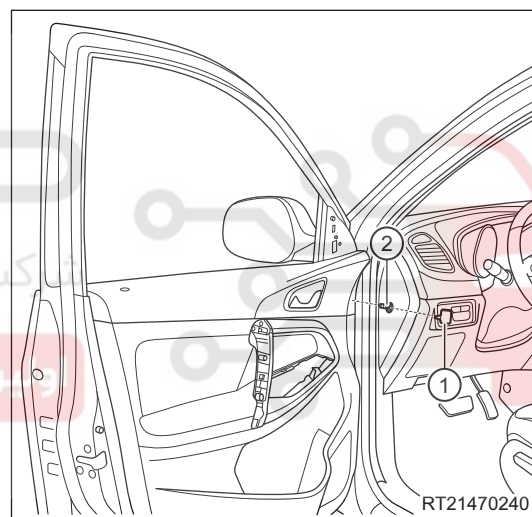
5. Remove the front left door assist grip cover.
  - a. Using a screwdriver wrapped with protective tape, pry up the claws on front left door assist grip cover, and remove the front left door assist grip cover.



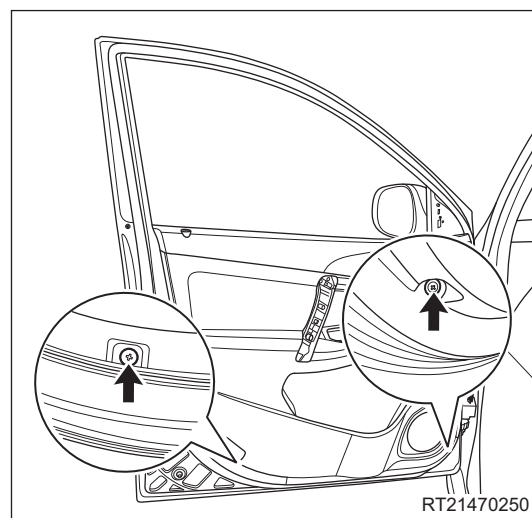
61

6. Remove the power glass regulating control master switch assembly (See page 57-88).
7. Remove the front left door protector assembly.

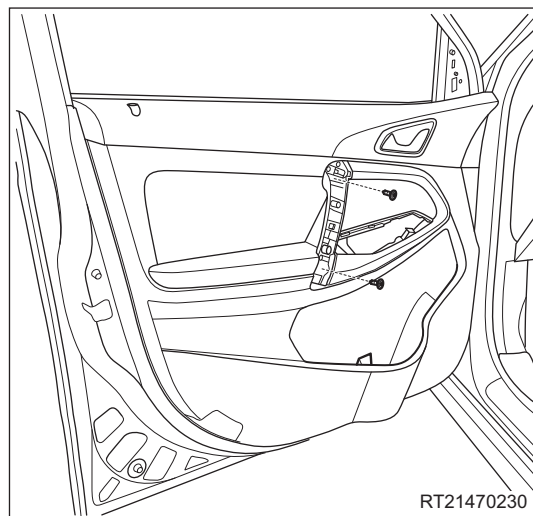
- a. Using a screwdriver wrapped with protective tape, pry up the front door protector screw cover (1).
- b. Remove the fixing screw (2) from the upper part of front door protector assembly.  
(Tightening torque:  $1.5 \pm 0.5 \text{ N}\cdot\text{m}$ )



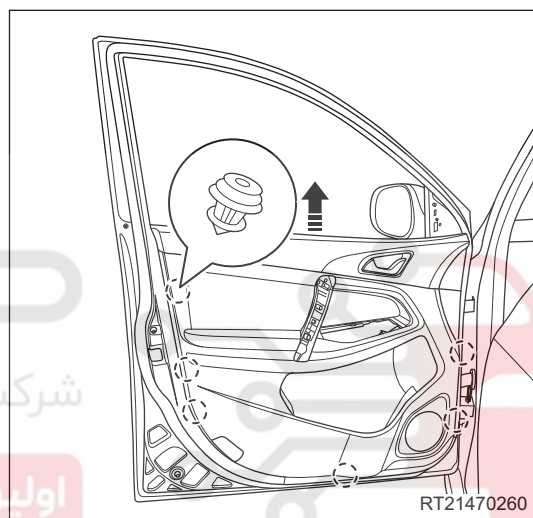
- c. Remove 2 fixing screws (arrow) from the lower part of front door protector assembly.  
(Tightening torque:  $1.5 \pm 0.5 \text{ N}\cdot\text{m}$ )



- d. Remove 2 fixing screws inside the front door assist grip assembly.  
(Tightening torque:  $1.5 \pm 0.5$  N·m)

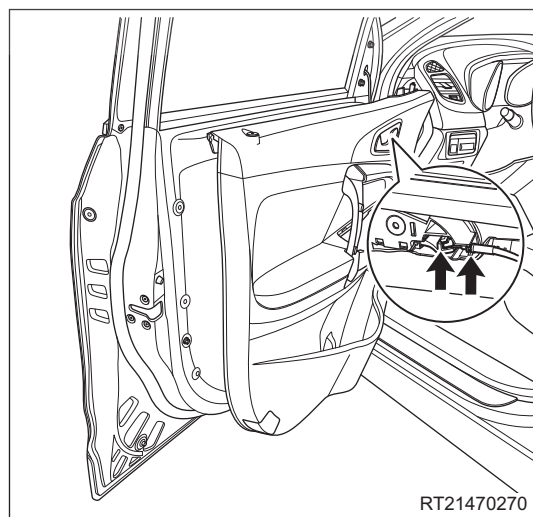


- e. Using an interior crow plate, pry off the clips from the front door protector assembly, and release the front door protector assembly in the direction of arrow as shown in the illustration.



61

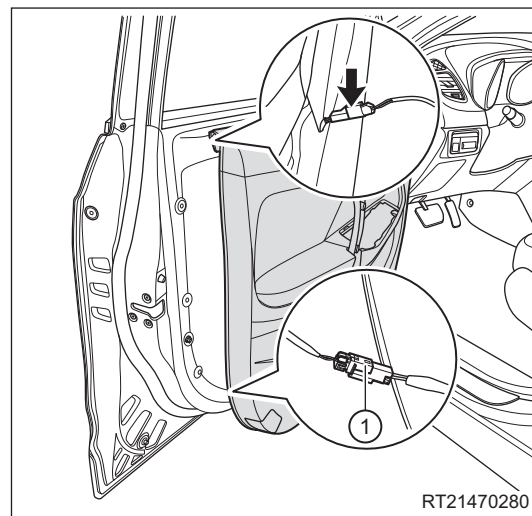
- f. Disengage the front door inside handle cable (arrow) from the slot.



دیجیتال خودرو  
شرکت دیجیتال خودرو سامانه (مسئولیت محدود)  
اولین سامانه دیجیتال تعمیرکاران خودرو در ایران

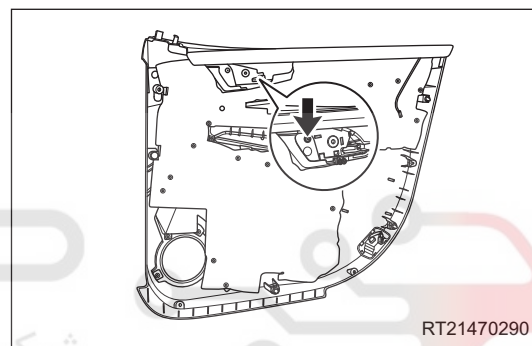
## 61 - ENGINE HOOD/DOOR

- g. Disconnect the front door open warning light connector (1).
- h. Disconnect the anti-theft indicator connector (arrow) (for left side).
- i. Remove the front left door protector assembly.

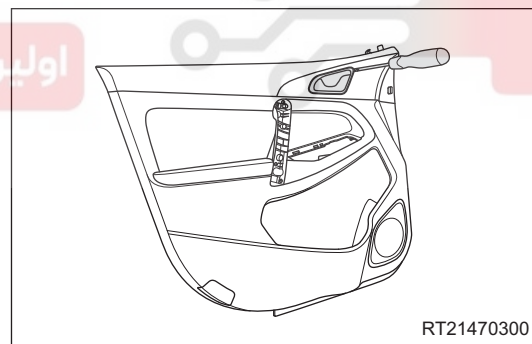


## 61 8. Remove the front left door inside handle assembly.

- a. Remove the fixing screw (arrow) from the front door inside handle assembly. (Tightening torque:  $1.5 \pm 0.5 \text{ N}\cdot\text{m}$ )

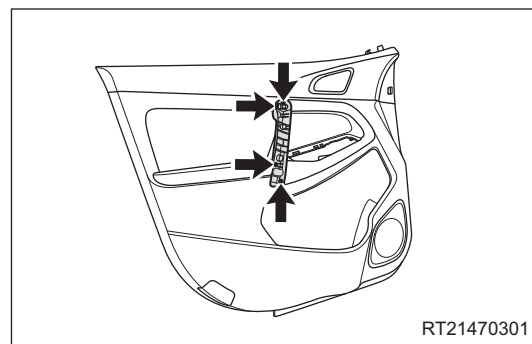


- b. Using a screwdriver wrapped with protective tape, pry up the claws on front door inside handle assembly.
- c. Remove the front door inside handle assembly from the front door protector assembly.



## 9. Remove the front door assist grip assembly.

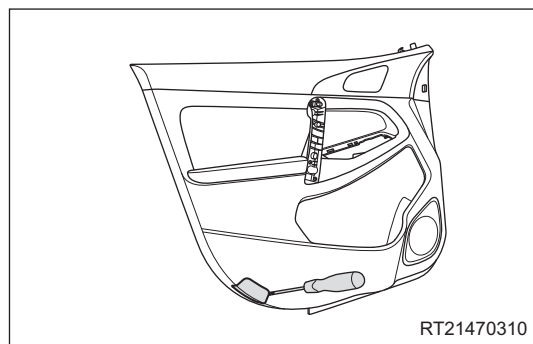
- a. Remove 4 fixing screws (arrow) from the front door assist grip assembly. (Tightening torque:  $1.5 \pm 0.5 \text{ N}\cdot\text{m}$ )
- b. Remove the front door assist grip assembly from the front door protector assembly.





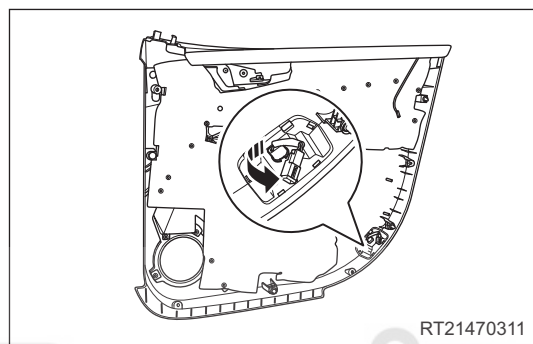
10. Remove the courtesy light cover.

- a. Using a screwdriver wrapped with protective tape, pry up the courtesy light cover.
- b. Remove the courtesy light cover from the front door protector assembly.



11. Remove the front door courtesy light.

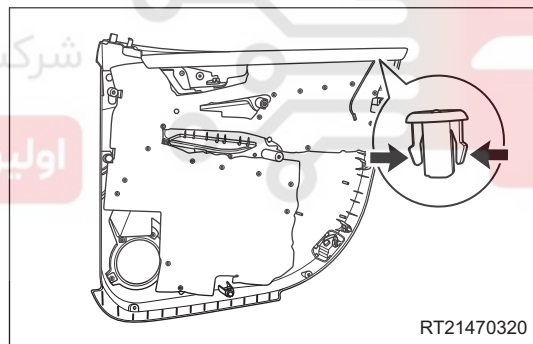
- a. Turn the front door courtesy light counterclockwise.
- b. Remove the front door courtesy light from the front door protector assembly.



61

12. Remove the anti-theft indicator.

- a. Press the claws (arrow) on anti-theft indicator as shown in the illustration.
- b. Remove the anti-theft indicator from the front door protector assembly.



## Installation

Installation is in the reverse order of removal.

### CAUTION

- Make sure damaged clips are replaced and front door protector assembly is installed in place when installing front door protector assembly.
- Install connector in place when installing front door protector assembly.
- Make sure each function can operate properly after installing front door protector assembly.

## Front Door Assembly

### Removal

#### HINT:

- Use the same procedures for the right side and left side.
- Procedures listed below are for the left side.

#### ⚠ WARNING

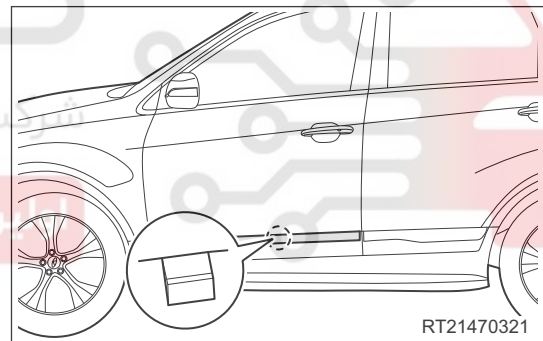
- When removing front door assembly, an assistant is needed to hold front door to prevent front door from dropping to cause accidents during operation.

#### 👁 CAUTION

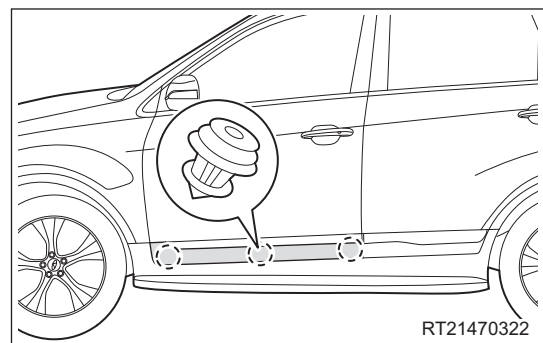
61

- Be sure to wear safety equipment to prevent accidents when removing front door assembly.
- Try to prevent body paint surface from being scratched when removing front door assembly.

1. Turn off all the electrical equipment and ignition switch.
2. Disconnect the negative battery cable.
3. Remove the front left door trim board garnish.
  - a. Using a screwdriver wrapped with protective tape, pry up the claws on front door trim board garnish.
  - b. Remove the front left door trim board garnish.

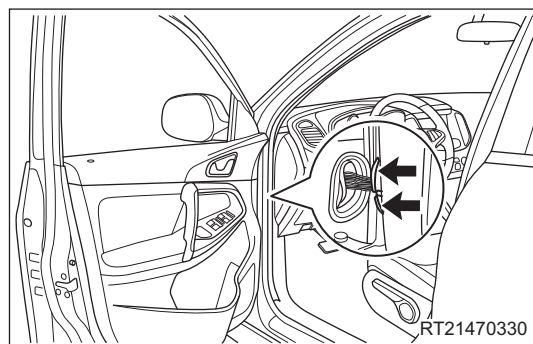


4. Remove the front left door trim board assembly.
  - a. Using a screwdriver wrapped with protective tape, pry up the clips on front door trim board assembly.
  - b. Remove the front door trim board assembly.

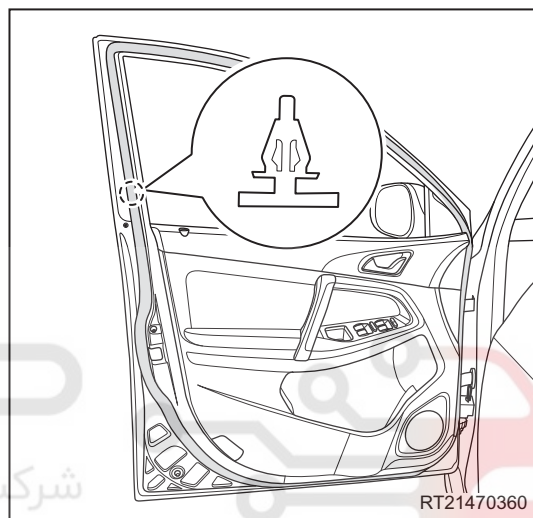




5. Disconnect the front left door connector.
  - a. Using a screwdriver wrapped with protective tape, pry up the front door dust boot.
  - b. Using a screwdriver wrapped with protective tape, pry up the claws on connector.
  - c. Disconnect the front left door connector (arrow).

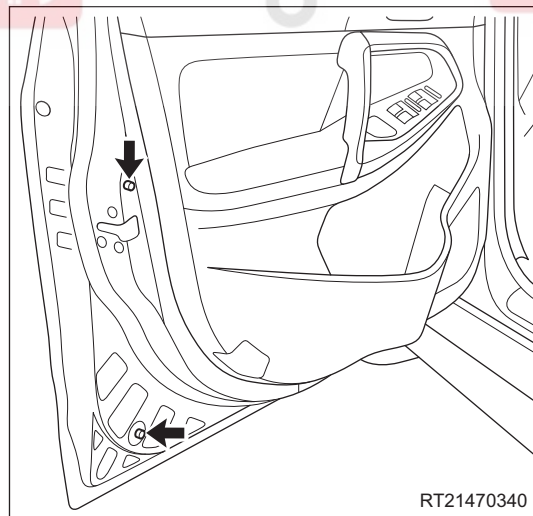


6. Remove the front left door frame weatherstrip.
  - a. Remove the clip from the front door frame weatherstrip, and remove the front left door frame weatherstrip.



61

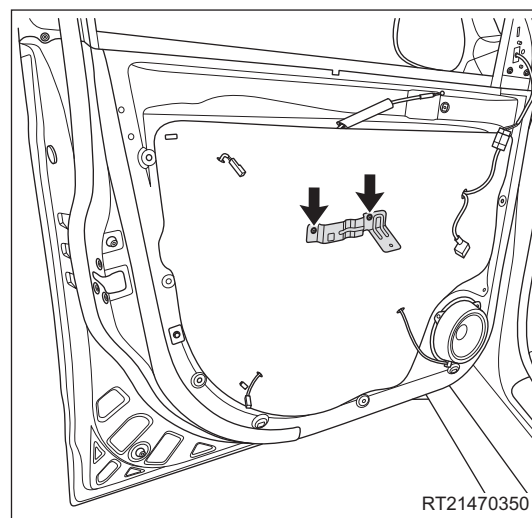
7. Remove the front left door buffer block.
  - a. Using a screwdriver wrapped with protective tape, remove the front door buffer blocks (arrow).



8. Remove the front left door protector assembly (See page 61-23).
9. Remove the front left door assist grip mounting bracket assembly.

## 61 - ENGINE HOOD/DOOR

- a. Remove 2 fixing screws (arrow) from the front door assist grip mounting bracket assembly.  
(Tightening torque:  $1.5 \pm 0.5 \text{ N}\cdot\text{m}$ )
- b. Remove the front left door assist grip mounting bracket assembly.

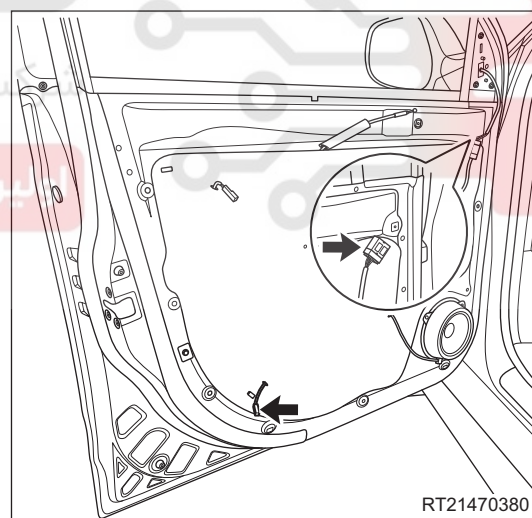


61 10. Remove the front left door protective film assembly.

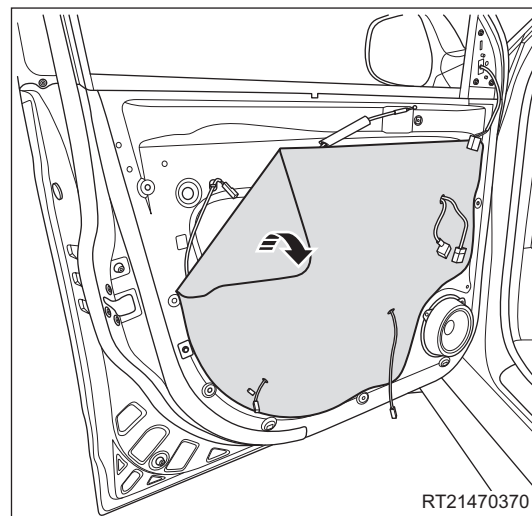
**CAUTION**

- Avoid damage to front door protective film when removing front door protective film assembly.
- Place front door protective film assembly properly after removal, and avoid adhesive sticker on front door protective film assembly from sticking to other components.

- a. Disengage the wire harness clips (arrow).



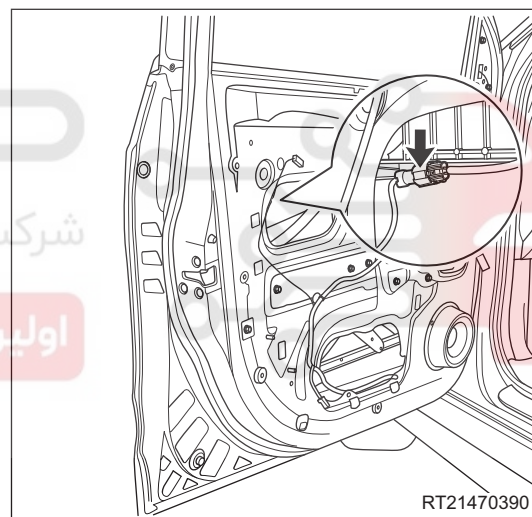
- b. Remove the front left door protective film assembly by gently pulling it along edges from one corner of the front left door protective film assembly.



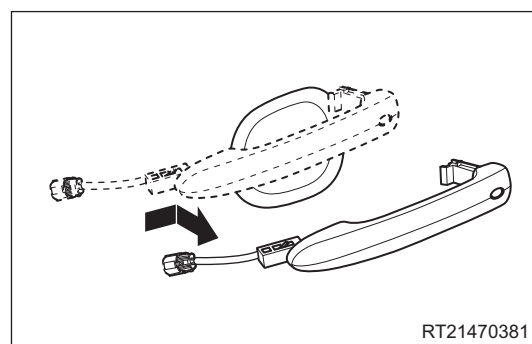
61

11. Remove the front left woofer assembly. (See page 52-16).  
 12. Remove the left outside rear view mirror assembly (See page 58-7).  
 13. Remove the front left door key cylinder protective cover (See page 50-44).  
 14. Remove the front left door outside handle.

- a. Disconnect the connector (arrow) from the front door outside handle.



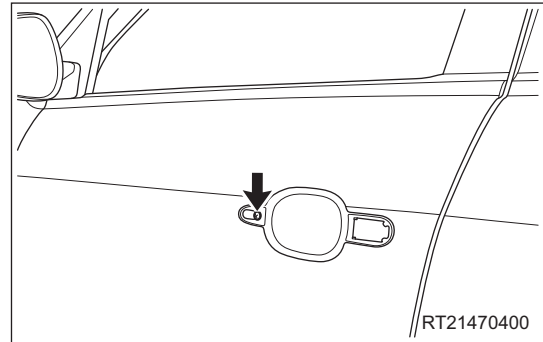
- b. Slide and pull the front door outside handle in the direction of arrow as shown in the illustration, and remove it.



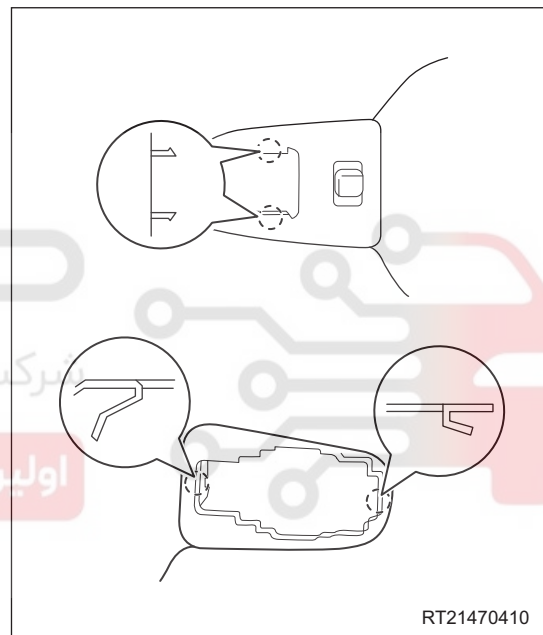
دیجیتال خودرو  
 شرکت دیجیتال خودرو سامانه (مسئولیت محدود)  
 اولین سامانه دیجیتال تعمیرکاران خودرو در ایران

## 61 - ENGINE HOOD/DOOR

15. Remove the front left door outside handle base assembly.
- Remove the fixing screw (arrow) from the front door outside handle base assembly, and remove the front left door outside handle base assembly.  
(Tightening torque:  $5 \pm 1$  N·m)

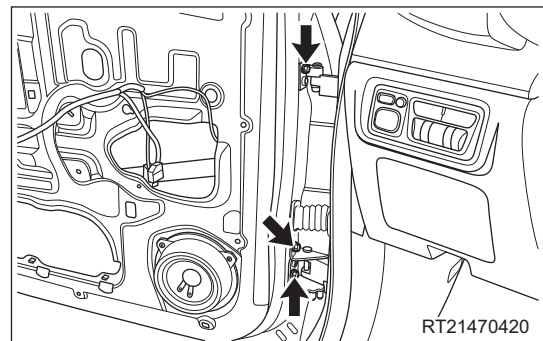


16. Remove the front left door outside handle front gasket.
- Disengage the claws from the front door outside handle front gasket, and remove the front left door outside handle front gasket.
17. Remove the front left door outside handle rear gasket.
- Disengage the claws from the front door outside handle rear gasket, and remove the front left door outside handle rear gasket.

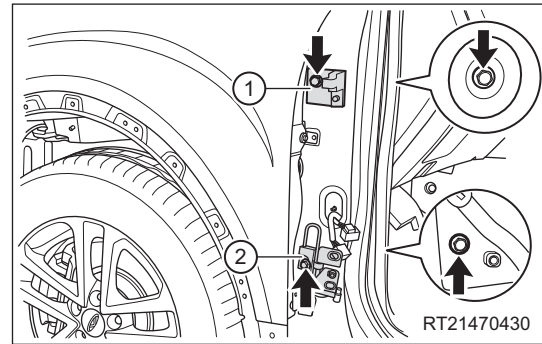


18. Remove the front left door outer weather bar (See page 57-82).
19. Remove the front left door glass assembly (See page 57-84).
20. Remove the front left door glass rear guide rail assembly (See page 57-86).
21. Remove the front left door power glass regulator assembly (See page 57-88).
22. Remove the front left door lock assembly (See page 50-41).
23. Remove the front left door assembly.

- Remove 3 fixing bolts (arrow) between front door hinge assembly and door.  
(Tightening torque:  $70 \pm 3$  N·m)



- b. Remove the front left door assembly.
24. Remove the instrument panel assembly (See page 59-20).
25. Remove the instrument panel crossmember assembly (See page 59-17).
26. Remove the front left door hinge assembly.
- Remove 4 fixing bolts (arrow) between front door hinge assembly and body.  
(Tightening torque:  $70 \pm 3$  N·m)
  - Remove the front door upper hinge assembly (1) and front door lower hinge assembly (2).



## Installation

Installation is in the reverse order of removal.

61

### ⚠ WARNING

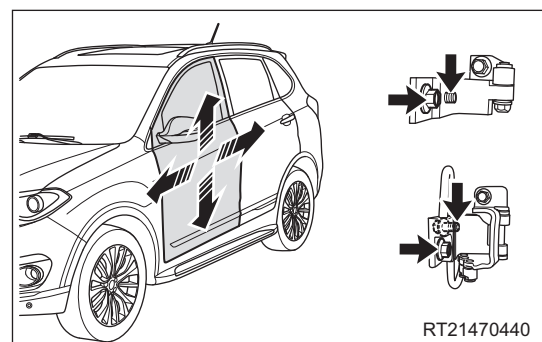
- Be sure to wear safety equipment to prevent accidents when installing front door assembly.
- When installing front door assembly, an assistant is needed to hold front door to prevent front door from dropping to cause accidents during operation.

### 👁 CAUTION

- Make sure damaged clips are replaced and front door protector assembly is installed in place when installing front door protector assembly.
- Stick protective film in specified position, not in a wrong position or a asymmetric position between left and right sides or cover the holes of other installation parts.
- DO NOT drag protective film when sticking it. It should be done under its original condition and ensure sheet metal is clean before assembly.
- Finished protective film should have no defects, such as wrinkles, bubbles or turnups.
- Finished protective film should have powerful adherence. Protective film sticking should be finished at one time. Avoid repeat sticking.

## Adjustment

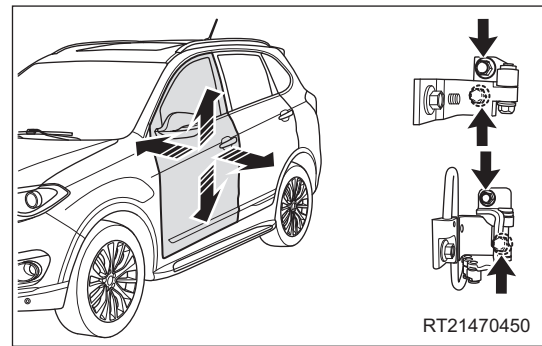
- Adjust the front left door assembly.
  - Loosen the fixing bolts on the front door hinge assemblies and adjust the front door assembly position in the direction of arrow as shown in the illustration.





## 61 - ENGINE HOOD/DOOR

- b. Tighten the fixing bolts on the front door hinge assemblies to the specified torque after adjustment.  
(Tightening torque:  $70 \pm 3$  N·m)
- c. Loosen the fixing bolts on the front door hinge assemblies and adjust the front door assembly position in the direction of arrow as shown in the illustration.



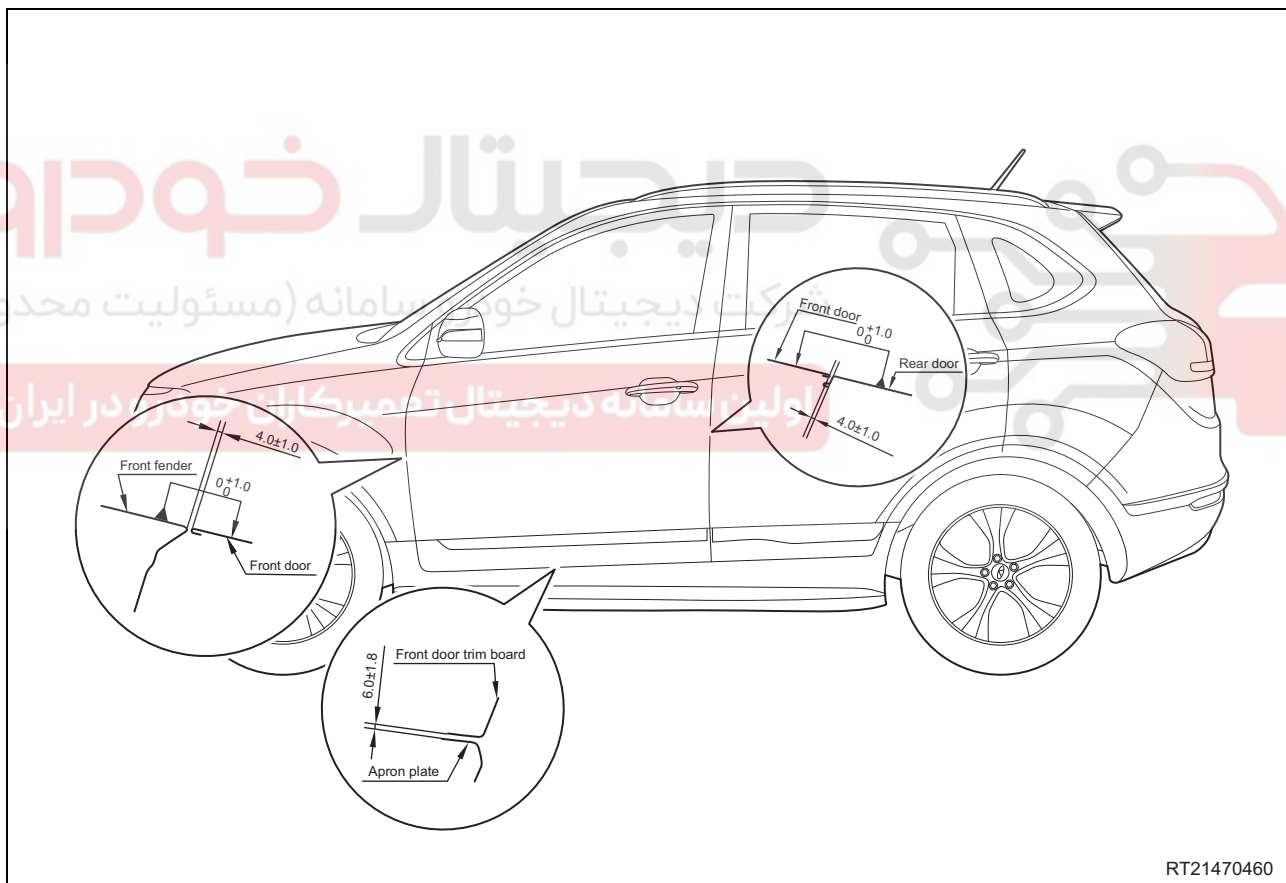
- d. Tighten the fixing bolts on the front door hinge assemblies to the specified torque after adjustment.  
(Tightening torque:  $70 \pm 3$  N·m)
- e. Standard ranges of clearance and alignment between installation positions of front door assembly and each part are as follows:

Clearance between front door assembly and rear door assembly:  $4.0 \pm 1.0$  mm.

Clearance between front door assembly and front fender assembly:  $4.0 \pm 1.0$  mm.

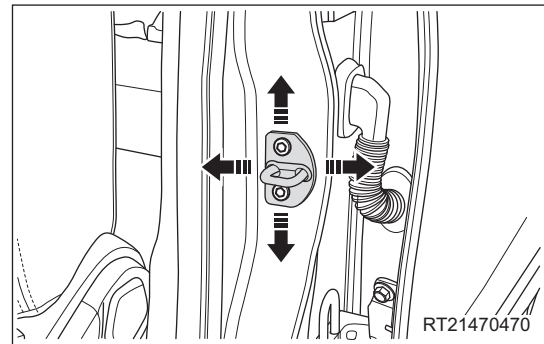
Clearance between apron plate assembly and front door trim board assembly:  $6.0 \pm 1.8$  mm.

61



- f. After adjustment, make sure alignment between front door assembly and rear door assembly is within the standard range.  
Standard alignment:  $0_0^{+1.0}$  mm
- g. After adjustment, make sure alignment between front door assembly and front fender assembly is within the standard range.  
Standard alignment:  $0_0^{+1.0}$  mm

2. Adjust the front left door lock striker assembly.
  - a. Slightly loosen the fixing screws on the front door lock striker and tap it with a plastic hammer in the direction of arrow as shown in the illustration to adjust the striker position.



- b. Tighten the fixing screws on the front door lock striker to the specified torque after adjustment.  
(Tightening torque:  $10 \pm 1$  N·m)

## Inspection

After front left door assembly is adjusted, perform the following inspections:

1. Check front door assembly for wear or deformation during installation, and repair it as necessary.
2. Check if fixing bolts and fixing screws are set in position. Tighten them to the specified torque as necessary.
3. Check if clearances and alignment between front door assembly installation position and each component are within the specified range. Adjust if necessary.

61

دیجیتال خودرو

شرکت دیجیتال خودرو سامانه (مسئولیت محدود)

اولین سامانه دیجیتال تعمیرکاران خودرو در ایران



## Rear Door Protector Assembly

### Removal

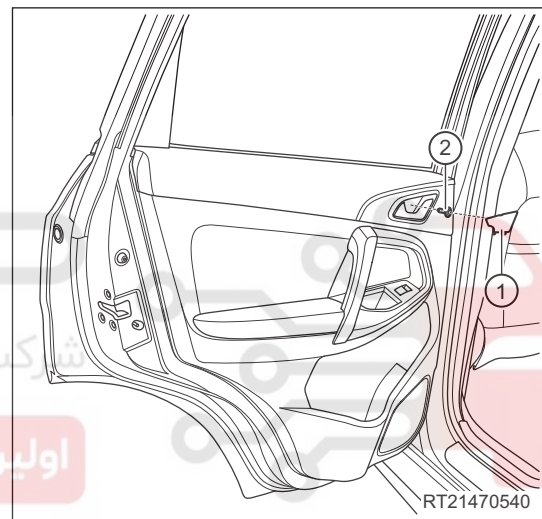
#### HINT:

- Use the same procedures for the right side and left side.
- Procedures listed below are for the left side.

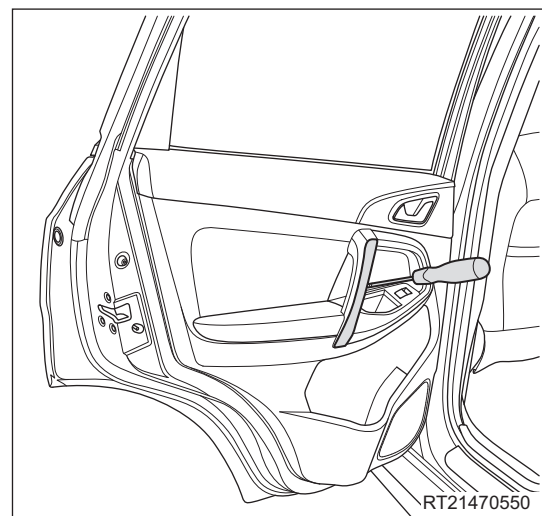
#### CAUTION

- Be sure to wear safety equipment to prevent accidents when removing rear door protector assembly.
- Avoid damage to rear door protector surface when removing rear door protector assembly.

1. Turn off all the electrical equipment and ignition switch.
2. Disconnect the negative battery cable.
3. Remove the rear left door inside handle assembly.
  - a. Using a screwdriver wrapped with protective tape, pry up the rear door inside handle screw cover (1).
  - b. Remove the fixing screw (2) from the rear door inside handle assembly.  
(Tightening torque:  $1.5 \pm 0.5$  N·m)



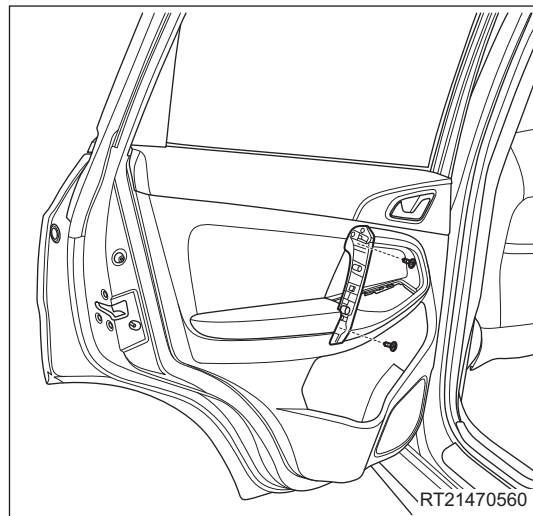
4. Remove the rear left door assist grip cover.
  - a. Using a screwdriver wrapped with protective tape, pry up the claws on rear door assist grip cover, and remove the rear left door assist grip cover.



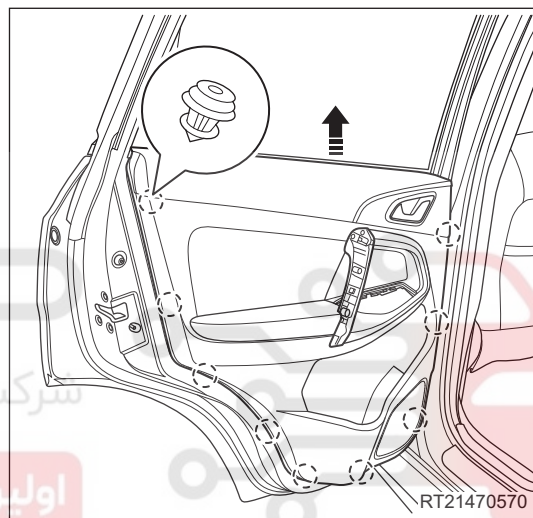
5. Remove the rear left door power glass regulator switch assembly (See page 57-90).
6. Remove the rear left door protector assembly.



- a. Remove 2 fixing screws from the rear door assist grip assembly.  
(Tightening torque:  $1.5 \pm 0.5$  N·m)

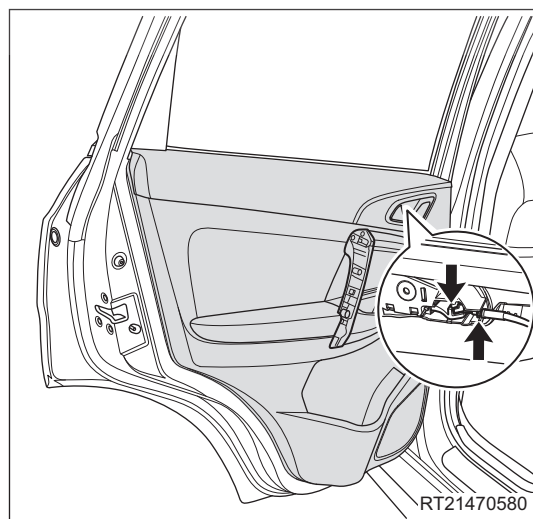


- b. Using an interior crow plate, pry off the clips from the rear door protector assembly, and remove the rear door protector assembly in the direction of arrow as shown in the illustration.



61

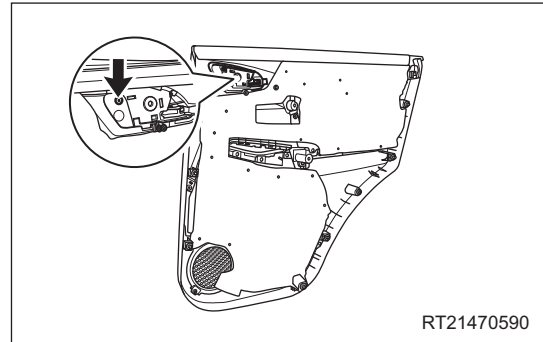
- c. Disengage the rear door inside handle cable (arrow) from the slot.  
d. Remove the rear left door protector assembly.



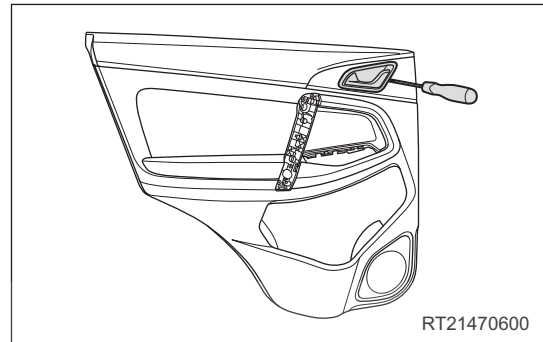
دیجیتال خودرو  
شرکت دیجیتال خودرو سامانه (مسئولیت محدود)  
اولین سامانه دیجیتال تعمیرکاران خودرو در ایران

## 61 - ENGINE HOOD/DOOR

7. Remove the rear left door inside handle assembly.
- Remove the fixing screw (arrow) from the rear door inside handle assembly.  
(Tightening torque:  $1.5 \pm 0.5 \text{ N}\cdot\text{m}$ )

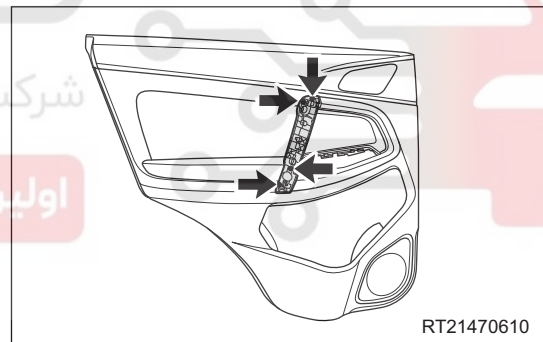


- Using a screwdriver wrapped with protective tape, pry up the claws on rear door inside handle assembly.
- Remove the rear door inside handle assembly from the rear door protector assembly.



61

8. Remove the rear door assist grip assembly.
- Remove 4 fixing screws (arrow) from the rear door assist grip assembly.  
(Tightening torque:  $1.5 \pm 0.5 \text{ N}\cdot\text{m}$ )
  - Remove the rear door assist grip assembly from the rear door protector assembly.



## Installation

Installation is in the reverse order of removal.

### CAUTION

- Make sure damaged clips are replaced and rear door protector assembly is installed in place when installing rear door protector assembly.
- Make sure inside handle assembly can operate properly after installing rear door protector assembly.

## Rear Door Assembly

### Removal

#### HINT:

- Use the same procedures for the right side and left side.
- Procedures listed below are for the left side.

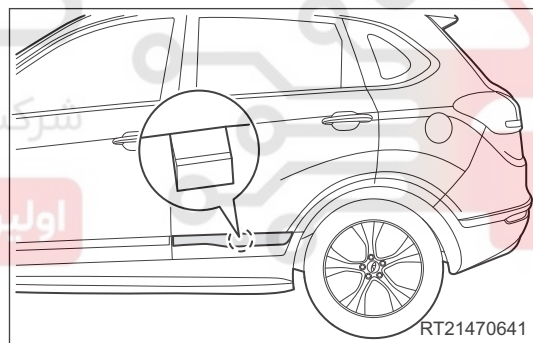
#### ⚠ WARNING

- When removing rear door assembly, an assistant is needed to hold rear door to prevent rear door from dropping to cause accidents during operation.

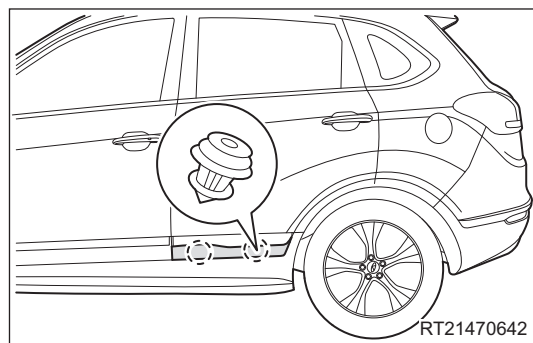
#### 👁 CAUTION

- Be sure to wear safety equipment to prevent accidents when removing rear door assembly.
- Try to prevent body paint surface from being scratched when removing rear door assembly.

1. Turn off all the electrical equipment and ignition switch.
2. Disconnect the negative battery cable.
3. Remove the rear left door trim board garnish.
  - a. Using a screwdriver wrapped with protective tape, pry up the claws on rear door trim board garnish.
  - b. Remove the rear left door trim board garnish.

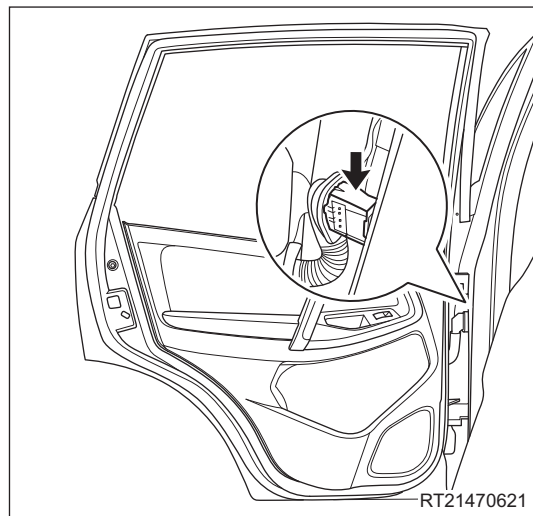


4. Remove the rear left door trim board assembly.
  - a. Using a screwdriver wrapped with protective tape, pry up the clips on rear door trim board assembly.
  - b. Remove the rear left door trim board assembly.



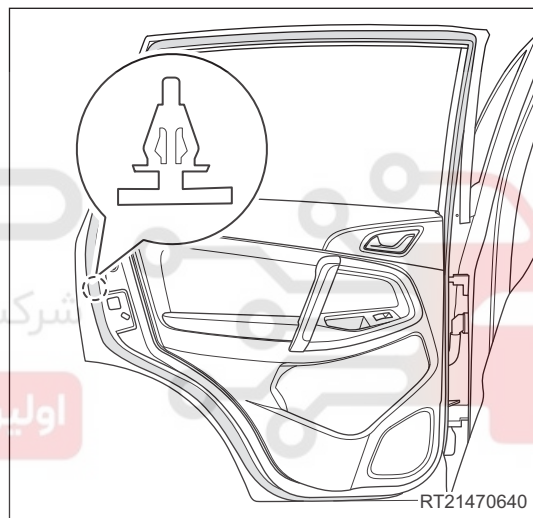
## 61 - ENGINE HOOD/DOOR

5. Disconnect the rear left door connector.
  - a. Using a screwdriver wrapped with protective tape, remove the rear door dust boot.
  - b. Using a screwdriver wrapped with protective tape, pry up the claws on connector.
  - c. Disconnect the rear left door connector (arrow).

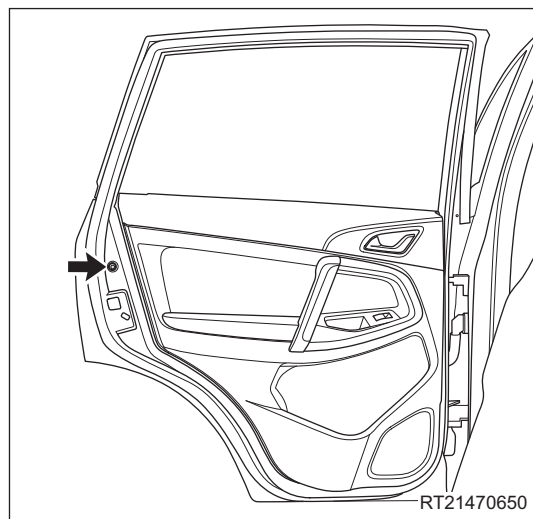


61

6. Remove the rear left door frame weatherstrip.
  - a. Remove the clip from the rear door frame weatherstrip, and remove the rear left door frame weatherstrip.

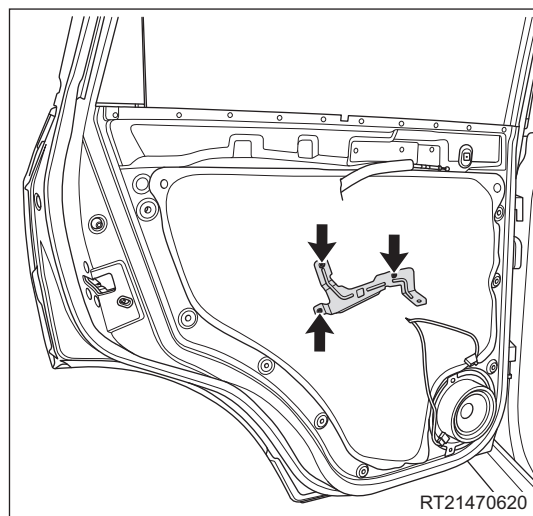


7. Remove the rear left door buffer block.
  - a. Using a screwdriver wrapped with protective tape, remove the rear door buffer block (arrow).



8. Remove the rear left door protector assembly (See page 61-36).

9. Remove the rear left door assist grip mounting bracket assembly.
  - a. Remove 3 fixing screws (arrow) from the rear door assist grip mounting bracket assembly. (Tightening torque:  $1.5 \pm 0.5 \text{ N}\cdot\text{m}$ )
  - b. Remove the rear left door assist grip mounting bracket assembly.



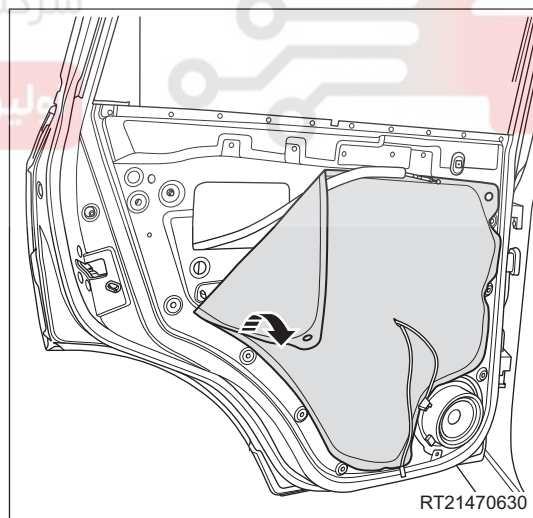
61

10. Remove the rear left woofer assembly (See page 52-18).
11. Remove the rear left door protective film assembly.

 CAUTION

- Avoid damage to rear door protective film when removing rear door protective film assembly.
- Place rear door protective film assembly properly after removal, and avoid adhesive sticker on rear door protective film assembly from sticking to other components.

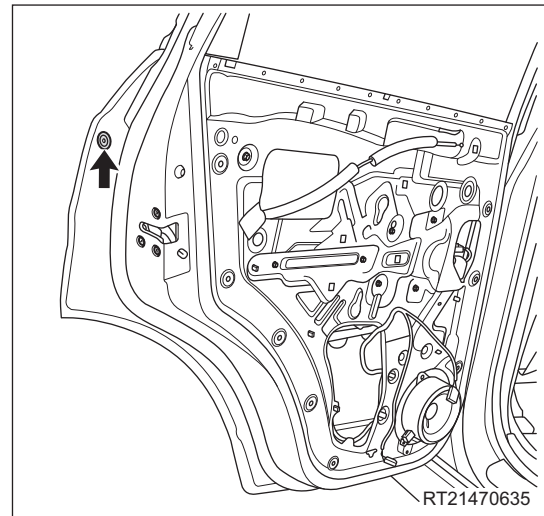
- a. Remove the rear left door protective film assembly by gently pulling it along edges from one corner of the rear left door protective film assembly.



## 61 - ENGINE HOOD/DOOR

12. Remove the protective cover without key cylinder from the rear left door.

- a. Using a screwdriver wrapped with protective tape, remove the plug of protective cover (arrow) without key cylinder from the rear left door.



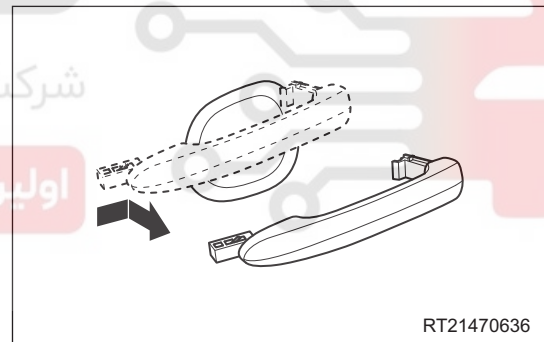
- b. Remove the fixing screw from the protective cover without key cylinder, and remove the protective cover without key cylinder from the rear left door. (Tightening torque:  $5 \pm 1$  N·m)

**HINT:**

It is not necessary to remove the fixing screw for protective cover without key cylinder of rear door, because it is integrated with the protective cover without key cylinder of rear door.

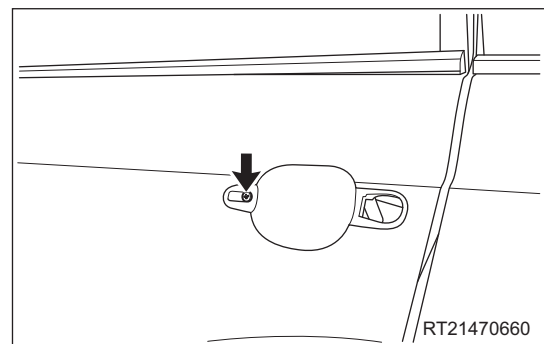
13. Remove the rear left door outside handle.

- a. Slide and pull the rear door outside handle in the direction of arrow as shown in the illustration, and remove it.



14. Remove the rear left door outside handle base assembly.

- a. Remove the fixing screw (arrow) from the rear left door handle base assembly. (Tightening torque:  $5 \pm 1$  N·m)
- b. Remove the rear left door outside handle base assembly.



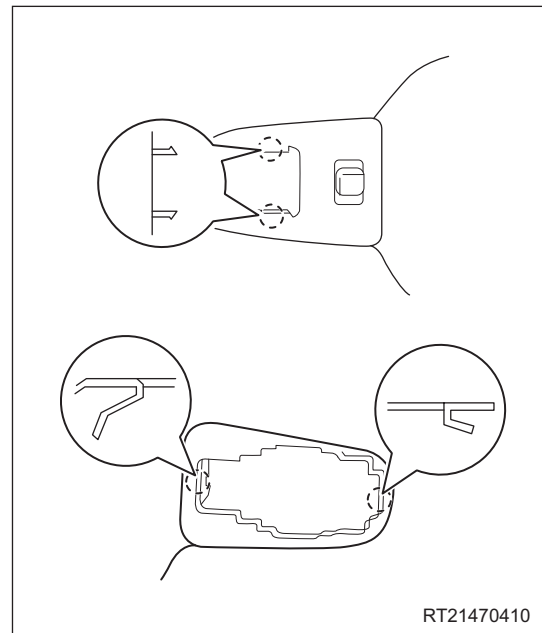
15. Remove the rear left door outside handle front gasket.

- a. Disengage the claws from the rear door outside handle front gasket, and remove the rear left door outside handle front gasket.

16. Remove the rear left door outside handle rear gasket.



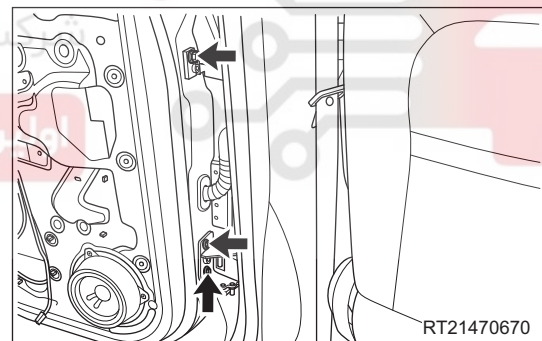
- a. Disengage the claws from the rear door outside handle rear gasket, and remove the rear left door outside handle rear gasket.



61

17. Remove the rear left door outer weather bar (See page 57-93).  
 18. Remove the rear left door glass assembly (See page 57-94).  
 19. Remove the rear left door glass rear guide rail assembly (See page 57-96).  
 20. Remove the rear left door power glass regulator assembly (See page 57-97).  
 21. Remove the rear left door lock assembly (See page 50-47).  
 22. Remove the rear left door assembly.

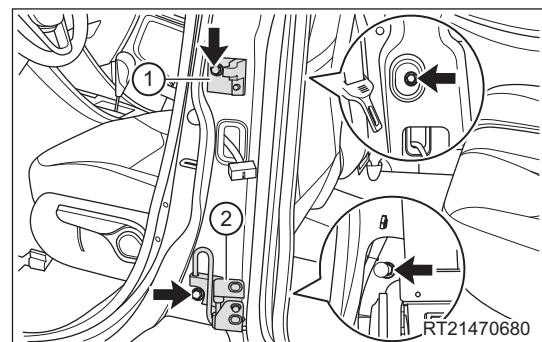
- a. Remove 3 fixing bolts (arrow) between rear door hinge assembly and door.  
 (Tightening torque:  $70 \pm 3$  N·m)



- b. Remove the rear left door assembly.

23. Remove the B-pillar lower protector assembly (See page 63-20).  
 24. Remove the rear left door hinge assembly.

- a. Remove 4 fixing bolts (arrow) between rear door upper hinge assembly and body.  
 (Tightening torque:  $70 \pm 3$  N·m)  
 b. Remove the rear door upper hinge assembly (1) and rear door lower hinge assembly (2).



## Installation

Installation is in the reverse order of removal.

### ⚠ WARNING

- Be sure to wear safety equipment to prevent accidents when installing rear door assembly.
- When installing rear door assembly, an assistant is needed to hold rear door to prevent rear door from dropping to cause accidents during operation.

### 👁 CAUTION

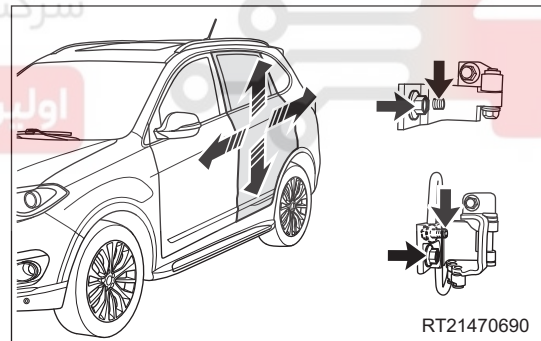
- Make sure damaged clips are replaced and rear door protector assembly is installed in place when installing rear door protector assembly.
- Stick protective film in specified position, not in a wrong position or a asymmetric position between left and right sides or cover the holes of other installation parts.
- DO NOT drag protective film when sticking it. It should be done under its original condition and ensure sheet metal is clean before assembly.
- Finished protective film should have no defects, such as wrinkles, bubbles or turnups.
- Finished protective film should have powerful adherence. Protective film sticking should be finished at one time. Avoid repeat sticking.

61

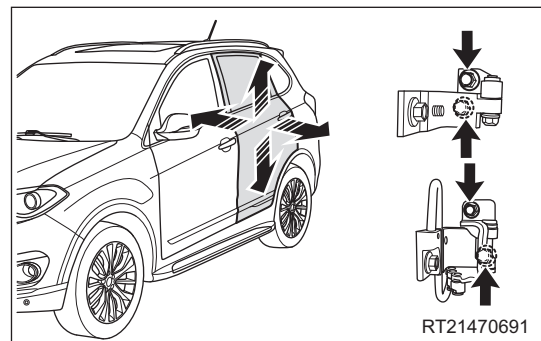
## Adjustment

1. Adjust the rear left door assembly.

- a. Loosen the fixing bolts on the rear door hinge assemblies and adjust the rear door assembly position in the direction of arrow as shown in the illustration.



- b. Tighten the fixing bolts on the rear door hinge assemblies to the specified torque after adjustment. (Tightening torque:  $70 \pm 3$  N·m)
- c. Loosen the fixing bolts on the rear door hinge assemblies and adjust the rear door assembly position in the direction of arrow as shown in the illustration.



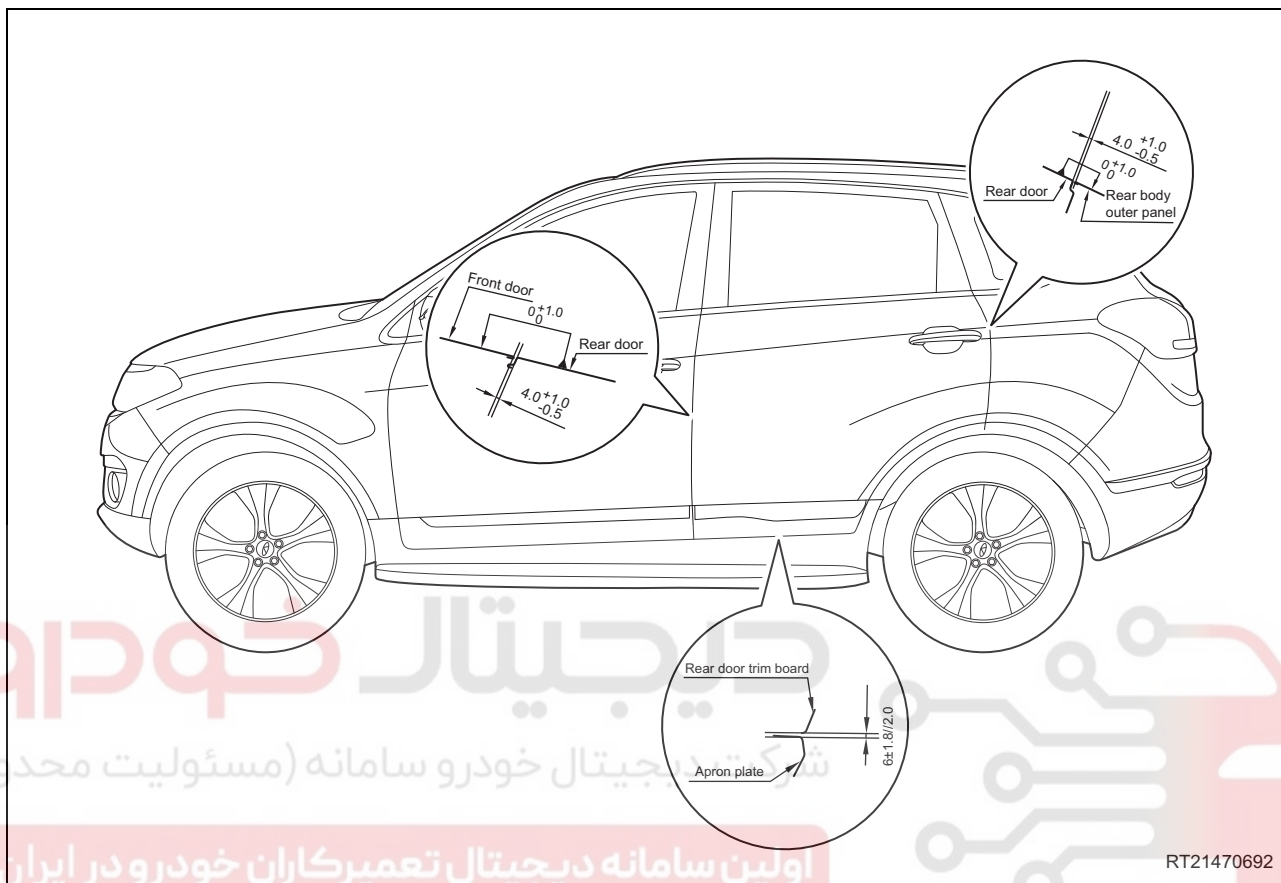
- d. Tighten the fixing bolts on the rear door hinge assemblies to the specified torque after adjustment. (Tightening torque:  $70 \pm 3$  N·m)

- e. Standard ranges of clearance between installation positions of rear door assembly and each part are as follows:

Clearance between rear door assembly and front door assembly:  $4.0 \pm 1.0$  mm.

Clearance between rear door assembly and rear body outer panel:  $4^{+1.0}_{-0.5}$  mm.

Clearance between apron plate assembly and rear door trim board assembly:  $6.0 \pm 1.8$  mm.



- f. After adjustment, make sure alignment between rear door assembly and front door assembly is within the standard range.

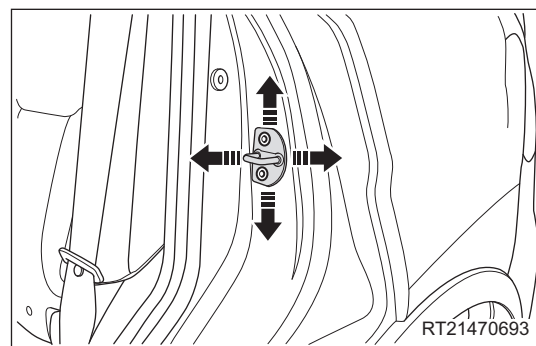
Standard alignment:  $0^{+1.0}_0$  mm

- g. After adjustment, make sure alignment between rear door assembly and rear body outer panel is within the standard range.

Standard alignment:  $0^{+1.0}_0$  mm

2. Adjust the rear left door lock striker assembly.

- a. Slightly loosen the fixing screws on the rear door lock striker and tap it with a plastic hammer in the direction of arrow as shown in the illustration to adjust the striker position.



- b. Tighten the fixing screws on the rear door lock striker to the specified torque after adjustment.  
(Tightening torque:  $10 \pm 1$  N·m)

## Inspection

After rear left door assembly is adjusted, perform the following inspections:

1. Check rear door assembly for wear or deformation during installation, and repair as necessary.
2. Check if fixing bolts and fixing screws are set in position. Tighten them to the specified torque as necessary.
3. Check if clearances and alignment between rear door assembly installation position and each component are within the specified range. Adjust them if necessary.

دیجیتال خودرو

شرکت دیجیتال خودرو سامانه (مسئولیت محدود)

اولین سامانه دیجیتال تعمیرکاران خودرو در ایران



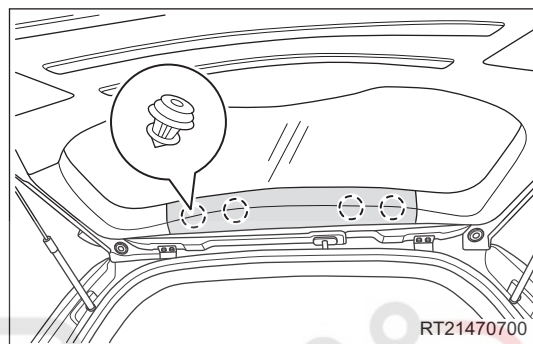
## Back Door Protector Assembly

### Removal

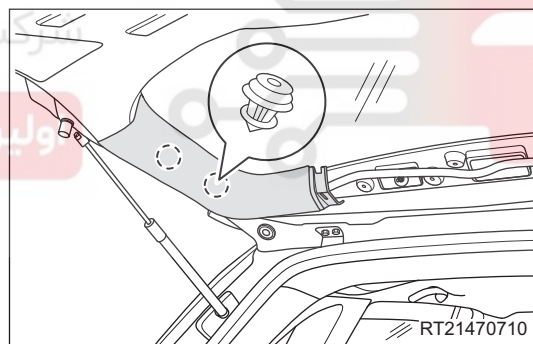
#### CAUTION

- Be sure to wear safety equipment when removing back door protector assembly.
- Try to prevent body paint surface from being scratched when removing back door protector assembly.

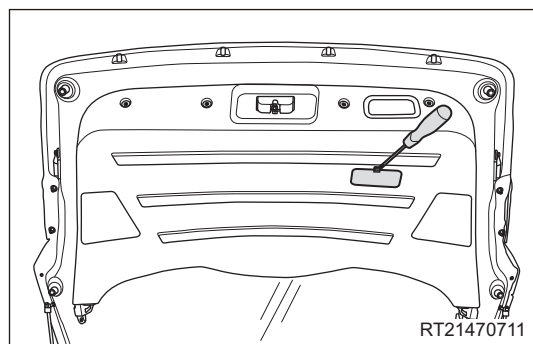
1. Turn off all the electrical equipment and ignition switch.
2. Disconnect the negative battery cable.
3. Remove the back door upper protector assembly.
  - a. Using an interior crow plate, pry off the clips from the back door upper protector assembly.
  - b. Remove the back door upper protector assembly.



4. Remove the back door left protector assembly (take left side as an example).
  - a. Using an interior crow plate, pry off the clips from the back door left protector assembly.
  - b. Remove the back door left protector assembly.

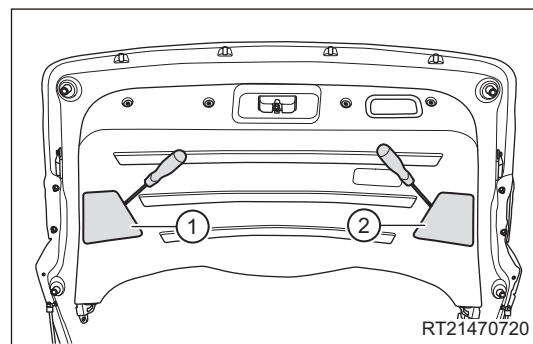


5. Remove the back door lock mechanical opener cable service cover.
  - a. Using a screwdriver wrapped with protective tape, pry up the claws on back door lock mechanical opener cable service cover.
  - b. Remove the back door lock mechanical opener cable service cover.

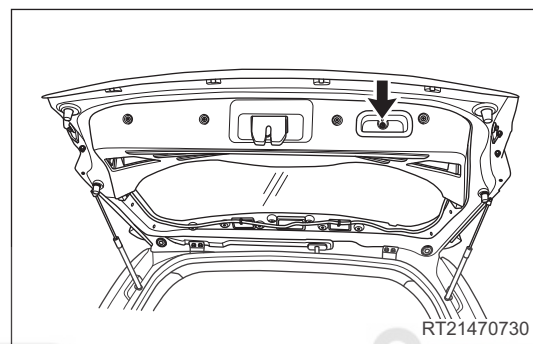


## 61 - ENGINE HOOD/DOOR

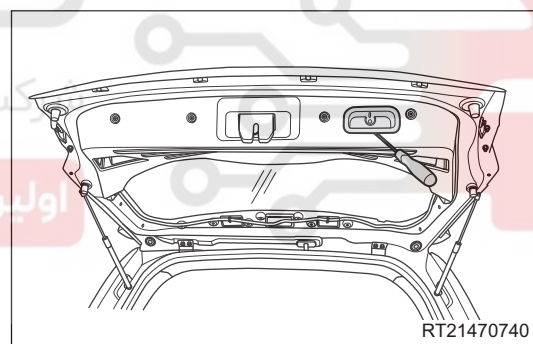
6. Remove the left and right back-up light service covers.
- Using a screwdriver wrapped with protective tape, pry up the claws on back-up light service covers.
  - Remove the left back-up light service cover (1) and right back-up light service cover (2).



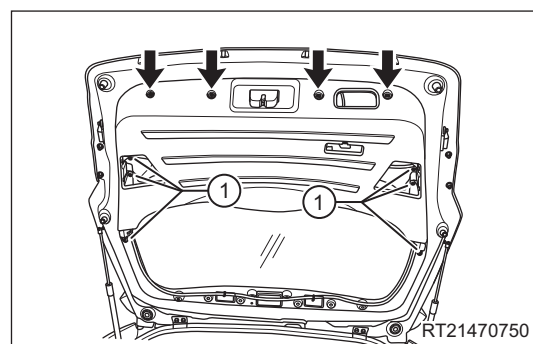
7. Remove the back door grip assembly.
- Remove the fixing screw (arrow) from the back door grip assembly.  
(Tightening torque:  $7 \pm 1 \text{ N}\cdot\text{m}$ )



- Using a screwdriver wrapped with protective tape, pry up the claw on back door grip assembly and remove the back door grip assembly.

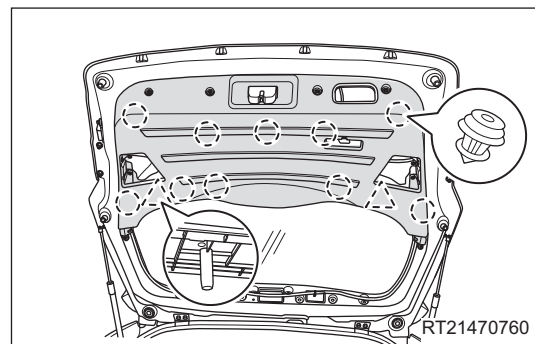


8. Remove the back door lower protector assembly.
- Remove 6 fixing screws (1) and 4 plastic clips (arrow) from the back door lower protector assembly.  
(Tightening torque:  $1.5 \pm 0.5 \text{ N}\cdot\text{m}$ )





- b. Using an interior crow plate, pry off the clips from the back door lower protector assembly.
- c. Remove the back door lower protector assembly.



## Installation

Installation is in the reverse order of removal.

### CAUTION

- Be sure to wear safety equipment to prevent accidents when installing back door protector assembly.
- Try to prevent body paint surface from being scratched when installing back door protector assembly.

61

# دیجیتال خودرو

شرکت دیجیتال خودرو سامانه (مسئولیت محدود)

اولین سامانه دیجیتال تعمیرکاران خودرو در ایران



## Back Door Assembly

### Removal

#### ⚠ WARNING

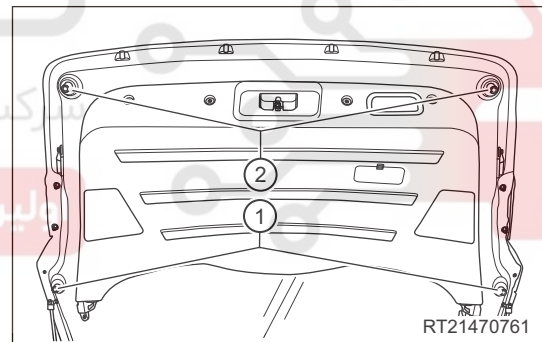
- When removing back door assembly, an assistant is needed to hold back door. Prevent back door from dropping or sudden closing to cause accidents during operation.

#### 👁 CAUTION

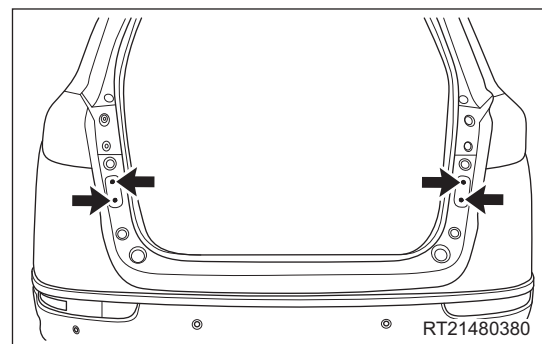
- Be sure to wear safety equipment when removing back door assembly.
- Try to prevent body paint surface from being scratched when removing back door assembly.

61

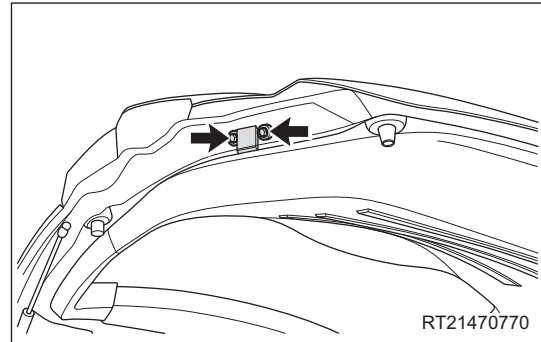
1. Turn off all the electrical equipment and ignition switch.
2. Disconnect the negative battery cable.
3. Remove the back door adjustment block.
  - a. Turn the back door adjustment blocks (1) counterclockwise and remove the back door adjustment blocks.
4. Remove the back door buffer block.
  - a. Using a screwdriver wrapped with protective tape, remove the back door buffer blocks (2).



5. Remove the back door locating seat.
  - a. Remove 4 fixing bolts (arrow) from the back door locating seat. (Tightening torque:  $1.5 \pm 1 \text{ N}\cdot\text{m}$ )
  - b. Remove the left back door locating seat (1) and right back door locating seat (2).



6. Remove the left back door locating block (take left side as an example).
  - a. Remove 2 fixing bolts (arrow) from the back door locating block.  
(Tightening torque:  $1.5 \pm 1$  N·m)
  - b. Remove the left back door locating block.

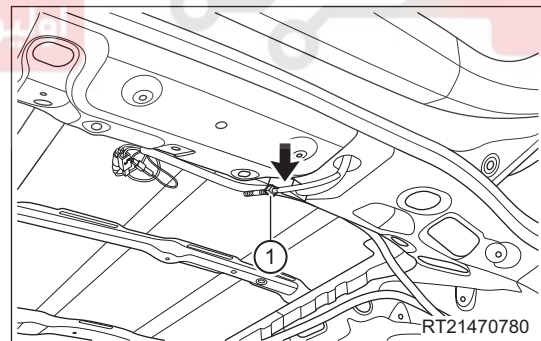


7. Remove the back door protector assembly (See page 61-47).
8. Remove the rear wiper arm assembly (See page 49-30).
9. Remove the rear wiper motor assembly (See page 49-32).
10. Remove the rear nozzle assembly (See page 49-34).
11. Remove the rear spoiler assembly (See page 62-43).
12. Remove the back door upper trim board assembly (See page 62-45).
13. Remove the back door lock assembly (See page 50-51).
14. Remove the back door opener switch assembly (See page 61-56).
15. Remove the rear combination light assembly (movable part) (See page 48-76).
16. Remove the back door weatherstrip (See page 63-16).
17. Remove the roof assembly (See page 63-30).

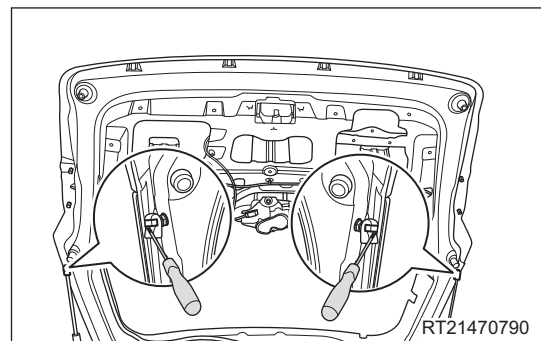
**HINT:**

It is not necessary to remove the roof assembly completely, because the rear part of roof assembly needs to be lowered for disconnecting the back door connector.

18. Remove the back door assembly.
  - a. Disconnect the back door connector (arrow).
  - b. Disconnect the washer line (1).

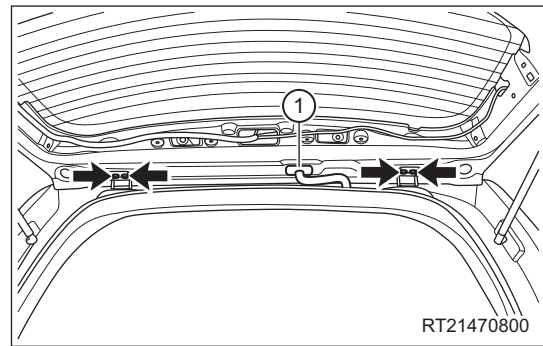


- c. Using a screwdriver wrapped with protective tape, pry off the back door air spring upper clips and remove the back door air spring.



## 61 - ENGINE HOOD/DOOR

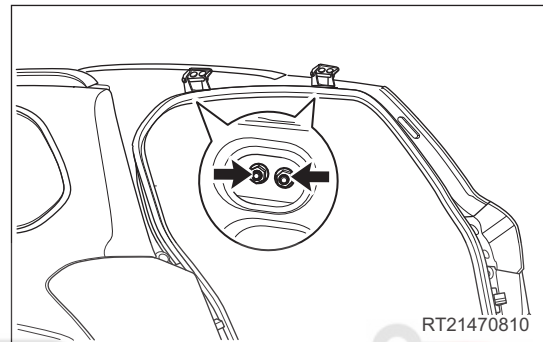
- d. Using a screwdriver wrapped with protective tape, pry up the back door dust boot (1).
- e. Remove 4 fixing bolts (arrow) between back door hinge assembly and back door.  
(Tightening torque:  $23 \pm 2$  N·m)



- f. Remove the back door assembly.

## 19. Remove the back door hinge assembly.

- a. Remove 4 fixing nuts (arrow) from the back door hinge assembly.  
(Tightening torque:  $23 \pm 2$  N·m)



- b. Remove the back door hinge assembly.

**Installation**

Installation is in the reverse order of removal.

**WARNING**

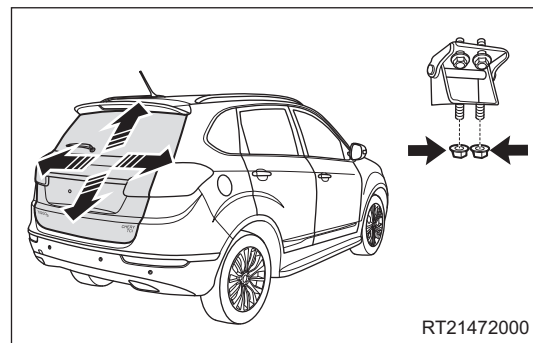
- When installing back door assembly, an assistant is needed to hold back door. Prevent back door from dropping or sudden closing to cause accidents during operation.

**CAUTION**

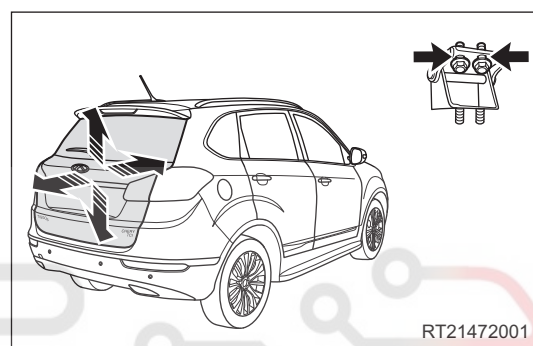
- Be sure to wear safety equipment to prevent accidents when installing back door assembly.
- Try to prevent body paint surface from being scratched when installing back door assembly.

## Adjustment

1. Adjust the back door assembly.
  - a. Loosen the fixing nuts on the back door assembly and adjust the position of back door assembly in the direction of arrow as shown in the illustration.

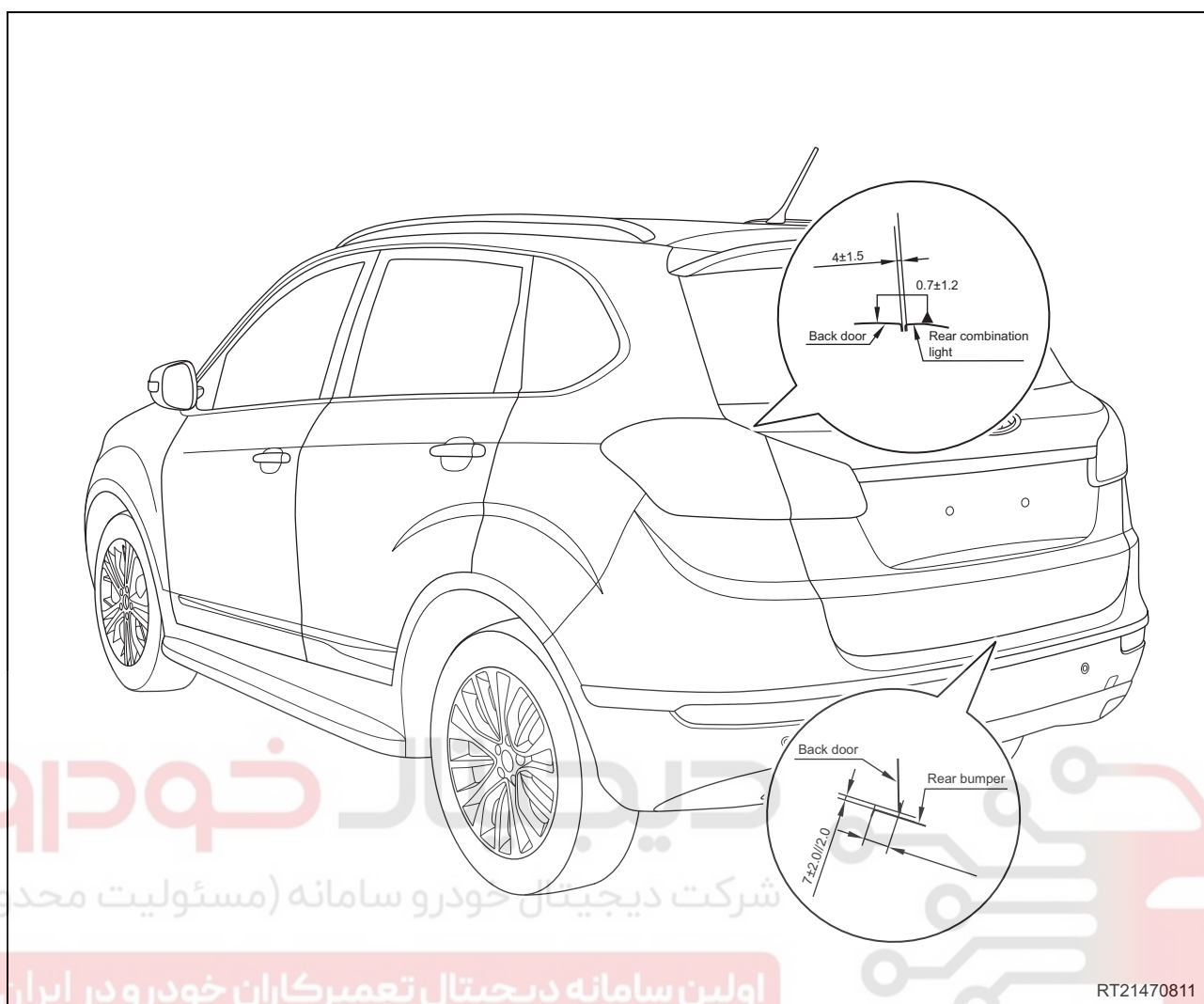


- b. Tighten the fixing nuts on back door assembly to the specified torque after adjustment. (Tightening torque:  $23 \pm 2$  N·m)
  - c. Loosen the fixing bolts on back door assembly and adjust the position of back door assembly in the direction of arrow as shown in the illustration.

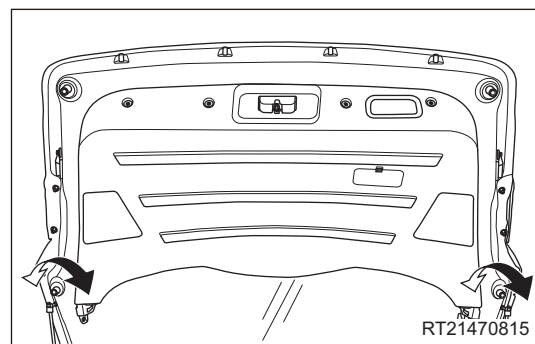


61

- d. Tighten the fixing bolts on back door assembly to the specified torque after adjustment. (Tightening torque:  $23 \pm 2$  N·m)
  - e. Standard ranges of clearance between installation positions of back door assembly and each part are as follows:
    - Clearance between back door assembly and rear combination light assembly (fixed part):  $4.0 \pm 1.5$  mm.
    - Clearance between back door assembly and rear bumper assembly:  $7.0 \pm 2.0$  mm.

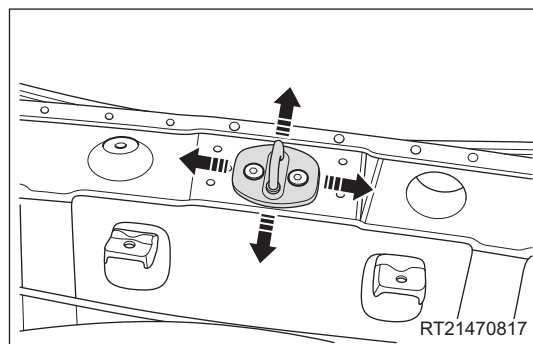


- f. After adjustment, tighten fixing bolts between back door hinge assembly and back door assembly to the specified torque.  
(Tightening torque:  $23 \pm 2$  N·m)
- g. After adjustment, tighten fixing bolts between back door hinge and body to the specified torque.  
(Tightening torque:  $23 \pm 2$  N·m)
2. Adjust the height of back door with the back door adjustment block.
  - a. Lower or raise the back door by rotating the back door adjustment blocks clockwise or counterclockwise.





3. Adjust the back door lock striker assembly.
  - a. Slightly loosen the fixing screws on back door lock striker assembly and tap it with a plastic hammer in the direction of arrow as shown in the illustration to adjust the striker position.



- b. Tighten the fixing screws on back door lock striker assembly to the specified torque after adjustment. (Tightening torque:  $10 \pm 1$  N·m)

### Inspection

After back door assembly is adjusted, perform the following inspections:

1. Check back door for wear or deformation during installation, and repair as necessary.
2. Check if fixing bolts and fixing nuts are set in position. Tighten them to the specified torque as necessary.
3. Check if clearances and alignment between back door assembly and rear bumper are within the specified range. Adjust if necessary.

61

# دیجیتال خودرو

شرکت دیجیتال خودرو سامانه (مسئولیت محدود)

اولین سامانه دیجیتال تعمیرکاران خودرو در ایران



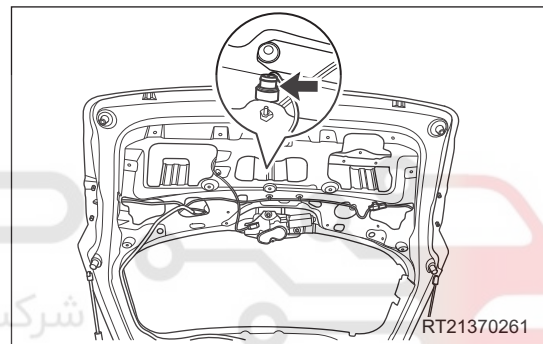
## Back Door Opener Switch Assembly

### Removal

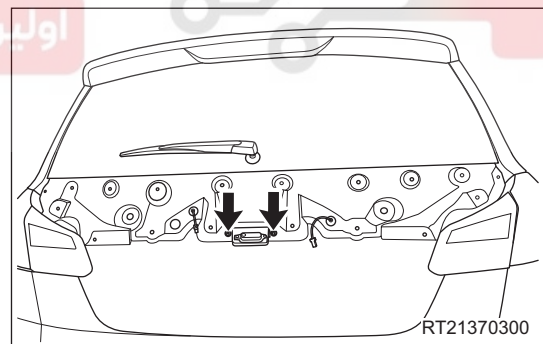
#### CAUTION

- Be sure to wear safety equipment to prevent accidents when removing back door opener switch assembly.
- Try to prevent body paint surface from being scratched when removing back door opener switch assembly.

1. Turn off all the electrical equipment and ignition switch.
2. Disconnect the negative battery cable.
3. Remove the back door protector assembly (See page 61-47).
4. Remove the back door upper trim board assembly (See page 62-45).
5. Remove the back door opener switch assembly.
  - a. Disconnect the back door opener switch connector (arrow).



- b. Remove 2 fixing bolts from the back door opener switch assembly, and remove the back door opener switch assembly. (Tightening torque:  $10 \pm 1$  N·m)



### Installation

Installation is in the reverse order of removal.

#### CAUTION

- Make sure damaged clips are replaced and back door opener switch assembly is installed in place when installing back door opener switch assembly.
- Install connector in place when installing back door opener switch assembly.
- Make sure each function can operate properly after installing back door opener switch assembly.

## Back Door Air Spring Assembly

### Removal

#### HINT:

- Use the same procedures for the right side and left side.
- Procedures listed below are for the left side.

#### ⚠ WARNING

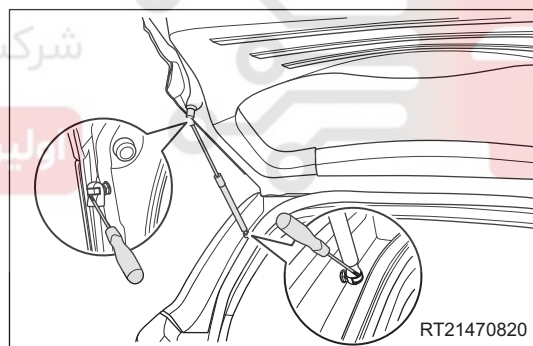
- When removing back door air spring assembly, an assistant is needed to hold back door. Prevent back door from dropping or sudden closing to cause accidents during operation.

#### 👁 CAUTION

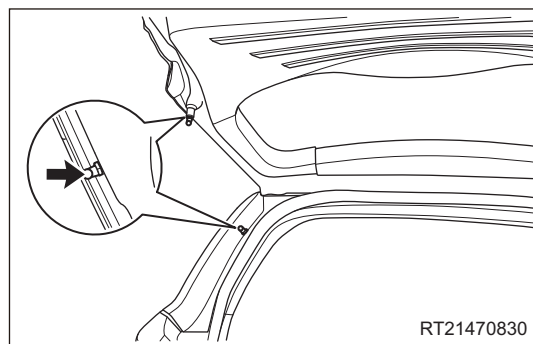
- Be sure to wear safety equipment to prevent accidents when removing back door air spring assembly.
- Try to prevent body paint surface from being scratched when removing back door air spring assembly.
- When installing back door air spring assembly, prevent back door from dropping to damage body during operation.

61

1. Turn off all the electrical equipment and ignition switch.
2. Disconnect the negative battery cable.
3. Remove the back door left air spring assembly.
  - a. Using a screwdriver wrapped with protective tape, pry off the back door air spring upper clip.
  - b. Using a screwdriver wrapped with protective tape, pry off the back door air spring lower clip and remove the back door left air spring assembly.



4. Remove the back door air spring ball pin (arrow).  
(Tightening torque:  $10 \pm 1$  N·m)



## Installation

Installation is in the reverse order of removal.

### WARNING

- When removing back door air spring assembly, an assistant is needed to hold back door. Prevent back door from dropping or sudden closing to cause accidents during operation.

### CAUTION

- Try to prevent body paint surface from being scratched when installing back door air spring assembly.
- Make sure back door air spring and back door air spring assembly clip are fitted closely after installing back door air spring assembly.

# دیجیتال خودرو

شرکت دیجیتال خودرو سامانه (مسئولیت محدود)

اولین سامانه دیجیتال تعمیرکاران خودرو در ایران

