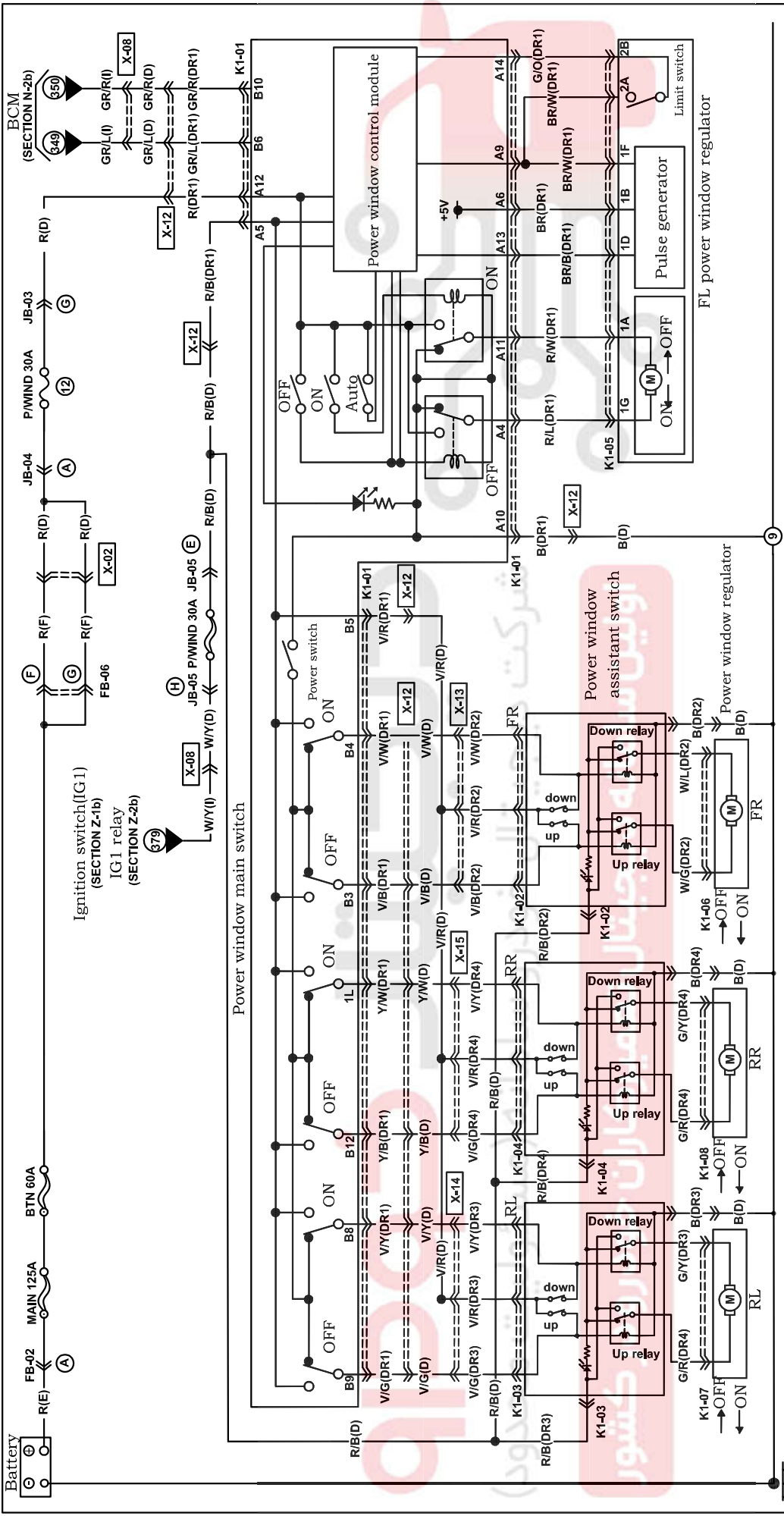


Power window system

K-1



K1-01 Power window main switch <table border="1"> <tr><td>A1</td><td>*</td><td>R/L</td><td>R/B</td><td>BR</td><td>*</td></tr> <tr><td>A7</td><td>*</td><td>R/W</td><td>R</td><td>BR/B/G/O</td><td>*</td></tr> </table>	A1	*	R/L	R/B	BR	*	A7	*	R/W	R	BR/B/G/O	*	<table border="1"> <tr><td>B1</td><td>*</td><td>V/B</td><td>V/W</td><td>V/R</td><td>GR/L</td></tr> <tr><td>B7</td><td>*</td><td>V/Y</td><td>V/G</td><td>GR/R</td><td>Y/W</td><td>Y/B</td></tr> </table>	B1	*	V/B	V/W	V/R	GR/L	B7	*	V/Y	V/G	GR/R	Y/W	Y/B	<table border="1"> <tr><td>C1</td><td>V/W</td><td>*</td><td>W/G</td><td>V/R</td><td>B</td><td>*</td></tr> <tr><td>C7</td><td>V/B</td><td>*</td><td>R/B</td><td>W/L</td><td>*</td><td>*</td></tr> </table>	C1	V/W	*	W/G	V/R	B	*	C7	V/B	*	R/B	W/L	*	*	<table border="1"> <tr><td>C1</td><td>V/Y</td><td>*</td><td>GR</td><td>V/R</td><td>B</td><td>*</td></tr> <tr><td>C7</td><td>V/G</td><td>*</td><td>R/B</td><td>G/Y</td><td>*</td><td>*</td></tr> </table>	C1	V/Y	*	GR	V/R	B	*	C7	V/G	*	R/B	G/Y	*	*	<table border="1"> <tr><td>C1</td><td>V/Y</td><td>*</td><td>GR</td><td>V/R</td><td>B</td><td>*</td></tr> <tr><td>C7</td><td>V/G</td><td>*</td><td>R/B</td><td>G/Y</td><td>*</td><td>*</td></tr> </table>	C1	V/Y	*	GR	V/R	B	*	C7	V/G	*	R/B	G/Y	*	*	K1-03 RL power window assistant switch (DR3) <table border="1"> <tr><td>C1</td><td>V/Y</td><td>*</td><td>GR</td><td>V/R</td><td>B</td><td>*</td></tr> <tr><td>C7</td><td>V/G</td><td>*</td><td>R/B</td><td>G/Y</td><td>*</td><td>*</td></tr> </table>	C1	V/Y	*	GR	V/R	B	*	C7	V/G	*	R/B	G/Y	*	*	<table border="1"> <tr><td>C1</td><td>V/Y</td><td>*</td><td>GR</td><td>V/R</td><td>B</td><td>*</td></tr> <tr><td>C7</td><td>V/G</td><td>*</td><td>R/B</td><td>G/Y</td><td>*</td><td>*</td></tr> </table>	C1	V/Y	*	GR	V/R	B	*	C7	V/G	*	R/B	G/Y	*	*
A1	*	R/L	R/B	BR	*																																																																																																
A7	*	R/W	R	BR/B/G/O	*																																																																																																
B1	*	V/B	V/W	V/R	GR/L																																																																																																
B7	*	V/Y	V/G	GR/R	Y/W	Y/B																																																																																															
C1	V/W	*	W/G	V/R	B	*																																																																																															
C7	V/B	*	R/B	W/L	*	*																																																																																															
C1	V/Y	*	GR	V/R	B	*																																																																																															
C7	V/G	*	R/B	G/Y	*	*																																																																																															
C1	V/Y	*	GR	V/R	B	*																																																																																															
C7	V/G	*	R/B	G/Y	*	*																																																																																															
C1	V/Y	*	GR	V/R	B	*																																																																																															
C7	V/G	*	R/B	G/Y	*	*																																																																																															
C1	V/Y	*	GR	V/R	B	*																																																																																															
C7	V/G	*	R/B	G/Y	*	*																																																																																															
K1-06 FR power window regulator (DR2) <table border="1"> <tr><td>A8</td><td>W/G</td><td>W/L</td></tr> </table>	A8	W/G	W/L	<table border="1"> <tr><td>B6</td><td>G/Y</td><td>G/R</td></tr> </table>	B6	G/Y	G/R	<table border="1"> <tr><td>B12</td><td>G/Y</td><td>G/R</td></tr> </table>	B12	G/Y	G/R	<table border="1"> <tr><td>C1</td><td>V/Y</td><td>*</td><td>GR</td><td>V/R</td><td>B</td><td>*</td></tr> <tr><td>C7</td><td>V/G</td><td>*</td><td>R/B</td><td>G/Y</td><td>*</td><td>*</td></tr> </table>	C1	V/Y	*	GR	V/R	B	*	C7	V/G	*	R/B	G/Y	*	*	<table border="1"> <tr><td>C1</td><td>V/Y</td><td>*</td><td>GR</td><td>V/R</td><td>B</td><td>*</td></tr> <tr><td>C7</td><td>V/G</td><td>*</td><td>R/B</td><td>G/Y</td><td>*</td><td>*</td></tr> </table>	C1	V/Y	*	GR	V/R	B	*	C7	V/G	*	R/B	G/Y	*	*	K1-05 FL power window regulator (DR1) <table border="1"> <tr><td>1A</td><td>R/W</td><td>BR</td><td>BR/BR/W</td><td>*</td></tr> <tr><td>1B</td><td>BR</td><td>BR/BR/W</td><td>*</td><td></td></tr> </table>	1A	R/W	BR	BR/BR/W	*	1B	BR	BR/BR/W	*		<table border="1"> <tr><td>C6</td><td>C12</td></tr> </table>	C6	C12																																														
A8	W/G	W/L																																																																																																			
B6	G/Y	G/R																																																																																																			
B12	G/Y	G/R																																																																																																			
C1	V/Y	*	GR	V/R	B	*																																																																																															
C7	V/G	*	R/B	G/Y	*	*																																																																																															
C1	V/Y	*	GR	V/R	B	*																																																																																															
C7	V/G	*	R/B	G/Y	*	*																																																																																															
1A	R/W	BR	BR/BR/W	*																																																																																																	
1B	BR	BR/BR/W	*																																																																																																		
C6	C12																																																																																																				