

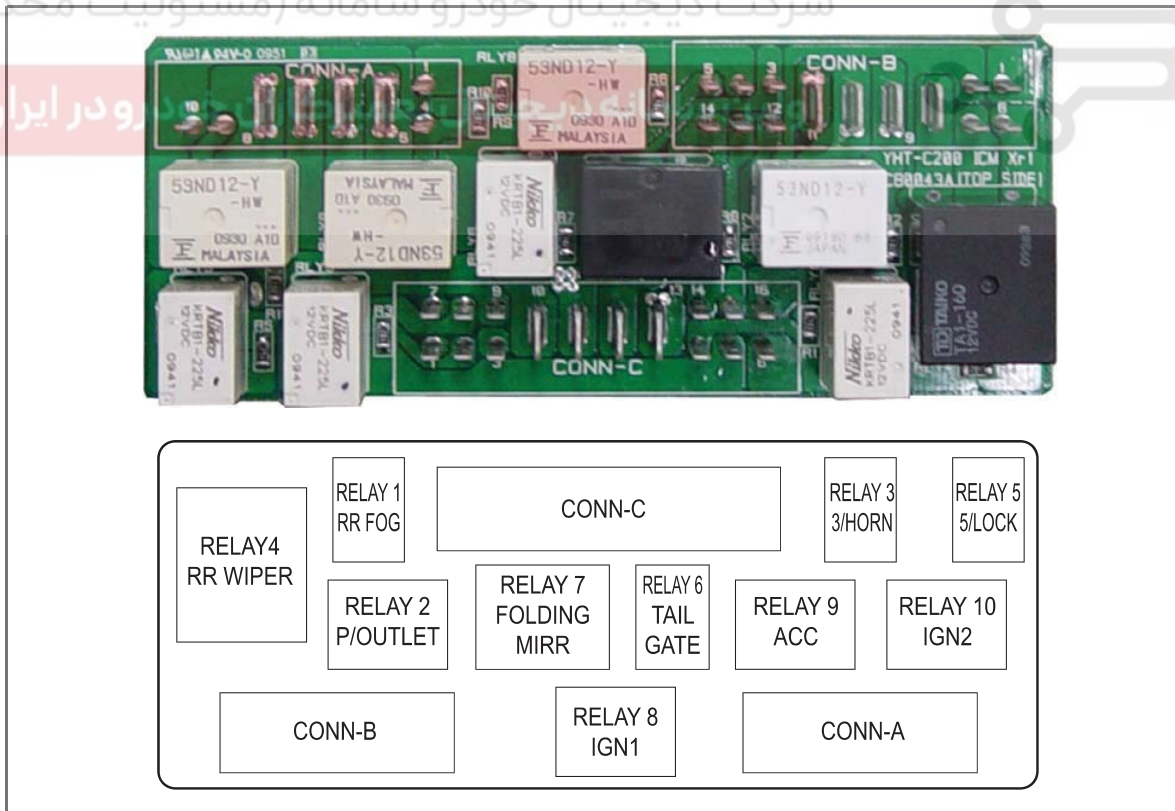
S.G.N. 8410-08 ICM BOX

1) Mounting Location

The ICM box is mounted to rear of the instrument cluster.



2) Arrangement of Connectors and Relays

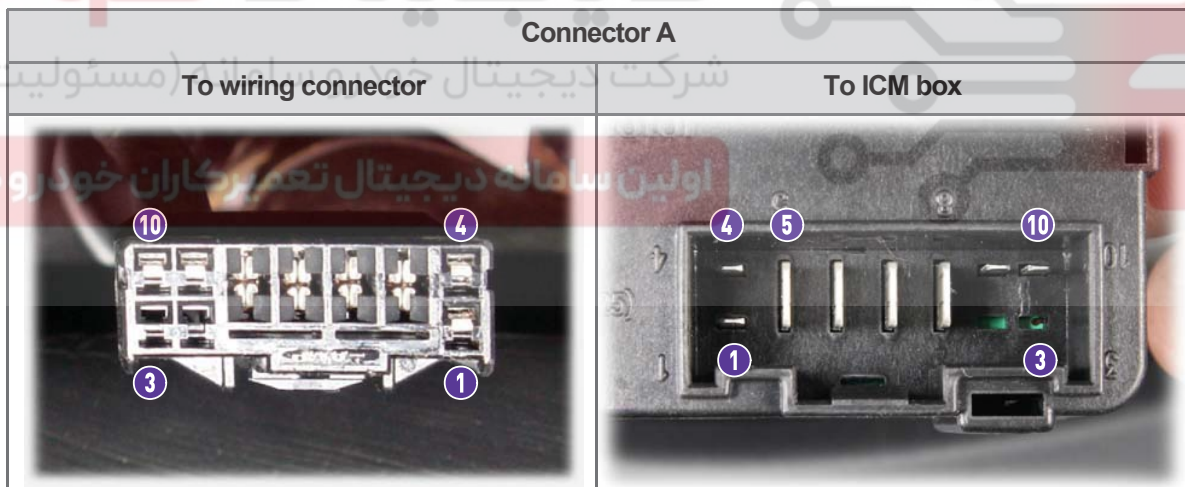
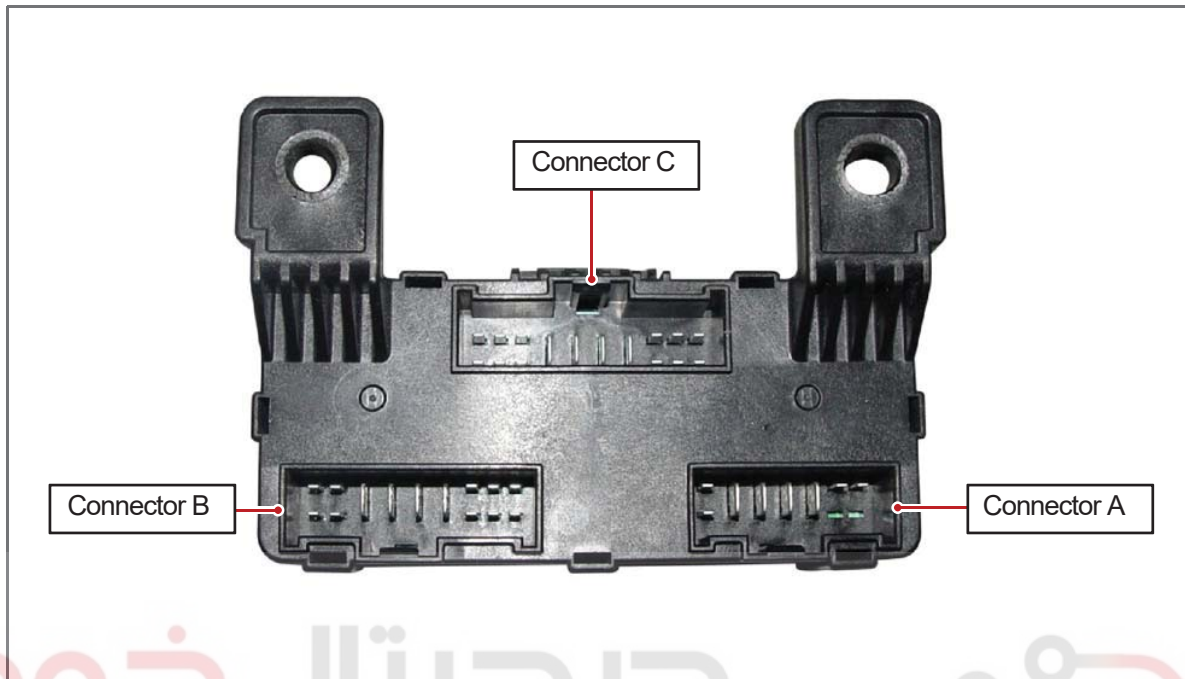


FUSE

KORANDO 2015.01

Modification basis	
Application basis	
Affected VIN	

3) Function Description



Pin No.	Functions(Connector A)
1	SKM "A2"
2	-
3	-
4	SKM "A3"
5	B+(CE box) "SB 2"

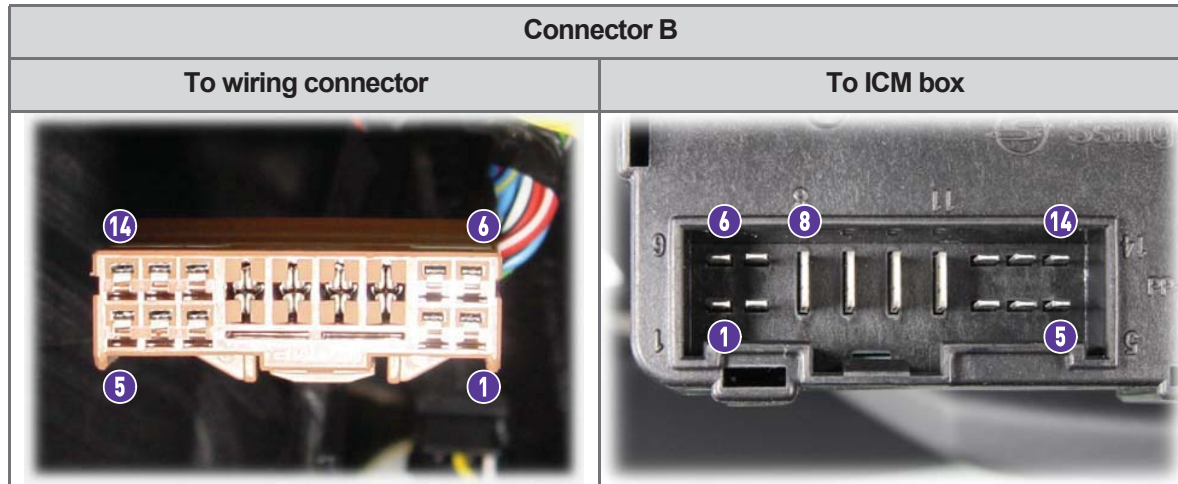
Pin No.	Functions(Connector A)
6	Interior fuse box (F47~F50)
7	Interior fuse box (F37~F41)
8	B+(CE box) "SB 4"
9	SKM "A1"
10	G204

- ELECTRO NIC
- FUSE
- BCM
- SKM
- INSTRUMENT
- SWITCH
- LAMP
- WIPER AND
- PAS
- AUDIO SYSTEM

Modification basis	
Application basis	

FUSE

KORANDO 2015.01



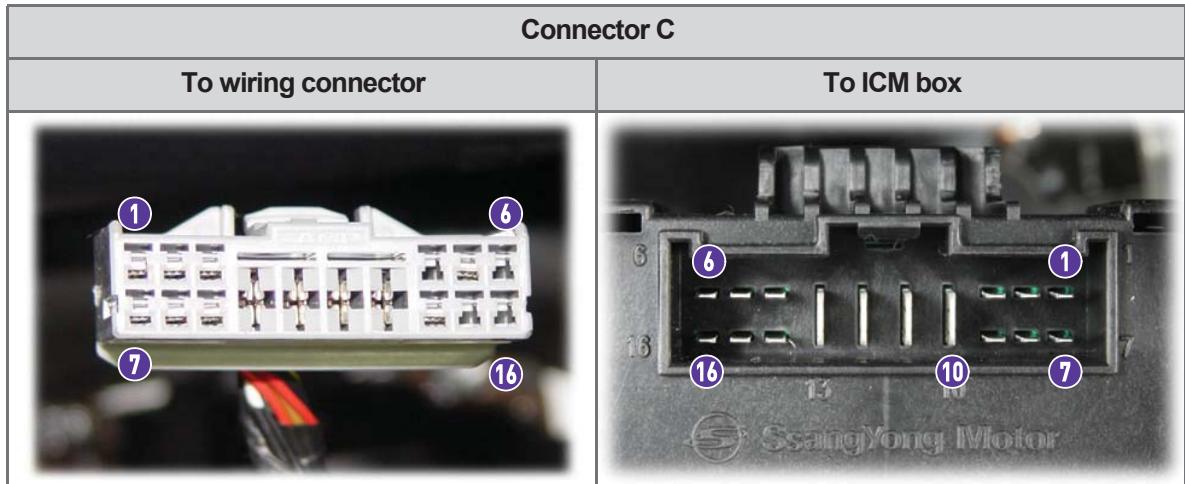
Pin No.	Functions(Connector B)
1	Multifunction switch(RH)
2	ACC(F47)
3	BCM(Outside mirror folding control) "D17"
4	BCM "D6"
5	ICM"C10"
6	IGN2(F39), Rear glass wiper "1"
7	Rear wiper motor "2"

Pin No.	Functions(Connector B)
8	Rear wiper motor "3"
9	Front "2", Rear power outlet "2"
10	B+(F46)
11	Interior fuse box (F27~F36)
12	G204
13	BCM(Outside mirror unfolding control) "D16"
14	Outside mirror unfolding motor LH/RH "11"

FUSE

KORANDO 2015.01

Modification basis	
Application basis	
Affected VIN	



Pin No.	Functions(Connector C)
1	Stop lamp switch "1"
2	BCM "A24"
3	IGN(F31)
4	BCM "A11"
5	B+(F45)
6	Rear fog lamp switch "6", Rear fog lamp LH/RH "6"
7	TGS lever "2"
8	TCU AT "12"

Pin No.	Functions(Connector C)
9	Warning horn "1"
10	B+(F42)
11	Tailgate actuator "2"
12	B+(F45)
13	Outside mirror folding motor LH/RH "12"
14	ICM "B12"
15	ICM "C16"
16	B+(F52)

- ELECTRO NIC
- FUSE
- BCM
- SKM
- INSTRUMENT
- SWITCH
- LAMP
- WIPER AND
- PAS
- AUDIO SYSTEM

Modification basis	
Application basis	
Article No.	

FUSE

KORANDO 2015.01